

2026-2027

Outdoor Lighting





Company profile

Lord Benex International Co., Ltd., was established in Taiwan in 1992, it is a sophisticated company that has been developing and building up customers based on the idea of innovative and environmentally friendly product development as well as the broader scope of experienced international trading. We have devoted ourselves to the studying, researching, designing, testing and manufacturing of LED related energy saving products such as Dynamo Torches, Solar Power Lights , Bike Lights, Camping Lantern and Headlamp for outdoor activities and the innovative high power Home Lighting for indoor as well. All of the enthusiasm has pushed us always one step ahead of others as one of the leading company in this field.

Bearing the “4P-Product, Price, Place, Promotion & 5W/1H- Where, What, When, Why, Which and How” concept in mind, Lord Benex has been reinforcing on connections to customers by improving the human resources and efficiency to satisfy their needs. Our accurate vision and short, long term development plan has been bringing us to a stable growth each year which always kept abreast with the developments of times and led the company well survived in the business jungle.

During the past years, the rapid change of LED development has drawn our attention to the fact that broader range of the traditional lamps are likely to be replaced by LEDs because of the improved power efficiency, brightness and lower cost in which we believe the LEDs will soon be generally applied in every way for families, buildings or constructions throughout the world. For such great demands being created, we, Lord Benex, of course would like to make our effort into the upcoming evolution of illumination which has been set as our core business for the next decade since 2008.

**Overthrow the Tradition.
Rein in the Future.
Create the brand new joyfulness of Night Ride.**



<https://www.lordbenex.com>

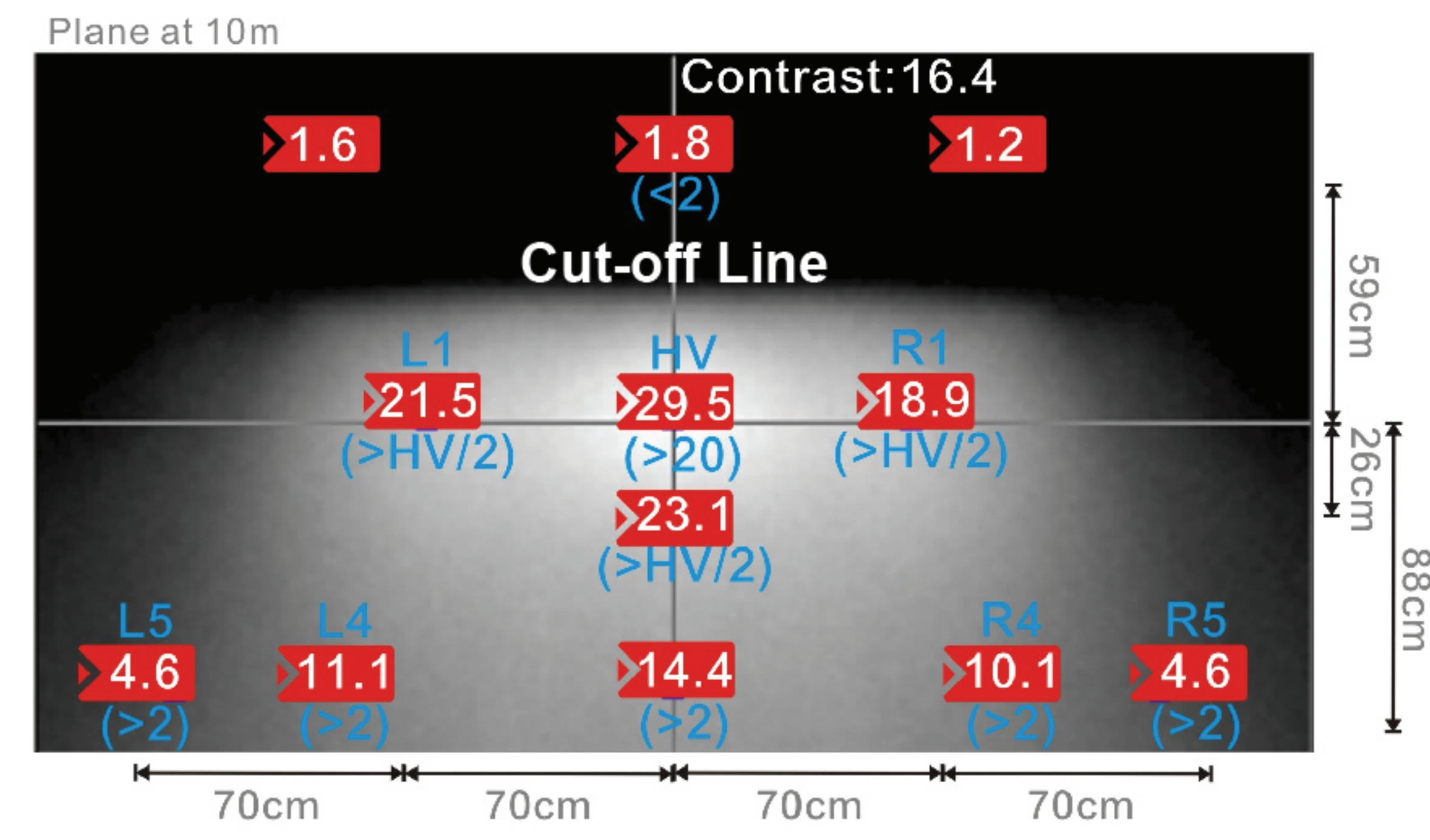




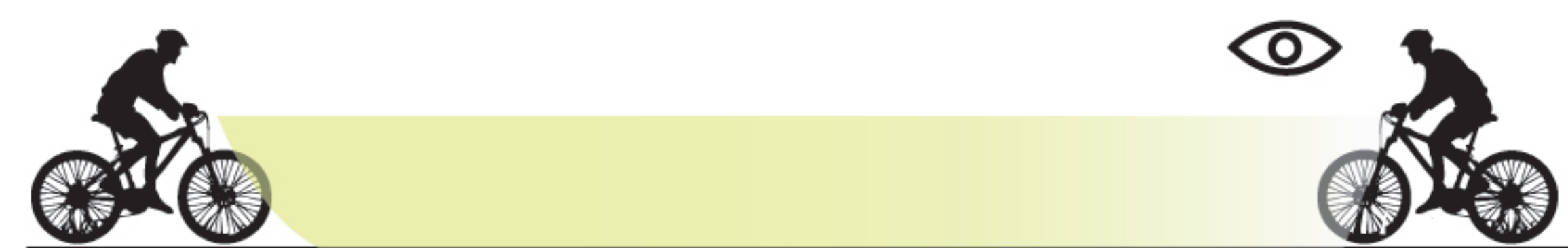
StVZO 22A,TA 23

K-Mark

- >1H Power Consumption- 20Lux / 10M
- Beam Profile
- Color Measurement
- No Flashing



RED: BENEX'S PERFORMANCE
BLUE: STANDARD OF StVZO 22A,TA 23



LATERAL VIEW-
Avoid to offend the eyes of incoming riders

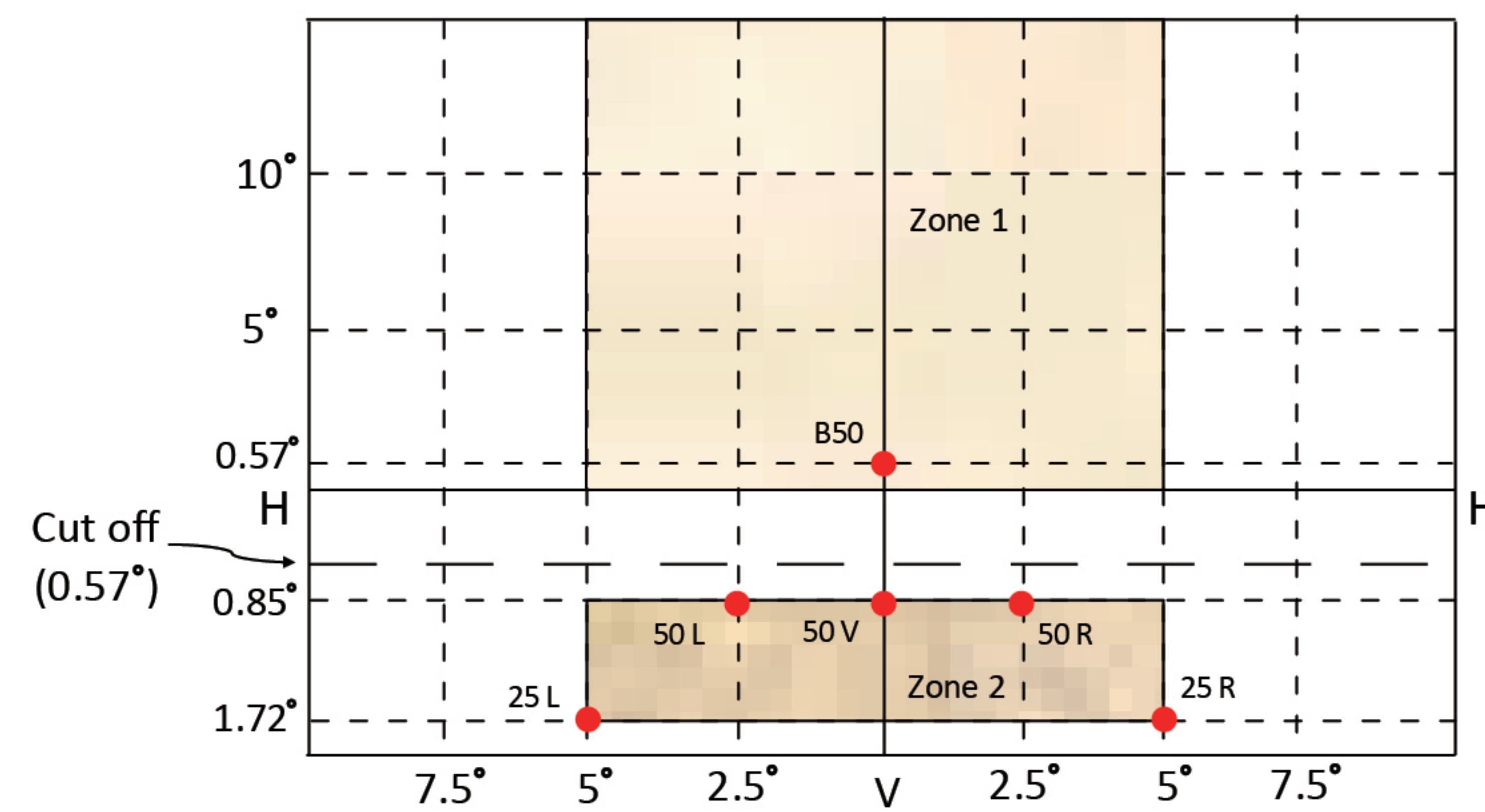


ECE REGULATION CLASS B

E-Mark

- R113**
- Futuristic Design
- LED E-Bike front light
- 45km / h E-BIKE

Class B Beam Form



| | Angular coordinates (degrees) | | Luminous intensity in cd |
|------------------------------|-------------------------------|-----------------|--------------------------|
| Any point in zone 1 | 0°~15° U | 5° L ~ 5° R | ≤ 700 cd |
| Any point on line 50L to 50R | 0.86° D | 2.5° L ~ 2.5° R | ≥ 1,100 cd |
| Point 50V | 0.86° D | 0 | ≥ 2,200 cd |
| Any point on line 25L to 25R | 1.72° D | 5° L ~ 5° R | ≥ 2,200 cd |
| Any point in zone 2 | 0.86°~1.72° D | 5° L ~ 5° R | ≥ 1,100 cd |

Law Beam Min. Light Value 350Lm Max.Light Value-1000Lm



Low Beam



Light beam at near distance



VERTICAL VIEW-
1-10m light beam's efficiently scattered over the roadside

Photo taken from the StVZO light beam of bike light



Mobile Current

1. Extend the Runtime.
2. Smooth beam intensity adjustment.



ZOOM Tec.



Reflector + Convex Les = TIR
Optical Efficiency- 90% ~ 92%
Nr.20 2011 004 474.2



Simulated Radar Light

Radar simulated detection, clear light signal to the cars behind.
Auto detection and warning to the cars behind.



Power Energy Sever Control (PESC Tech.)

Auto Max Power Restoration
Max. beam intensity would always be held while the power capacity at the level over 60%.



Smart Brake Tech.

Auto Brake Attraction System (SMBrake Tech.)



Auto ON / OFF

Auto light off when bike parked.
Auto light on when bike being cycled.



Daylight

Auto ON in daytime, to be seen while cycling.



Speed Tech.

Beam intensity adjustment according to your cycling SPEED, the faster you go
The brighter you have.

G-Tech.



Uphill / Downhill

Auto adjustment of beam angle for cycling at Uphill or Downhill



Curves

Beam reinforcement for cycling at Curves



Standlight

Light is still on for 4Min.while bike stopped.



Low / High Beam

Auto low beam off when the light beam from the oncoming cars being detected



Power Management

Perfect power management between the Dynamo Light and Dynamo hub to reduce the Pedal loading.

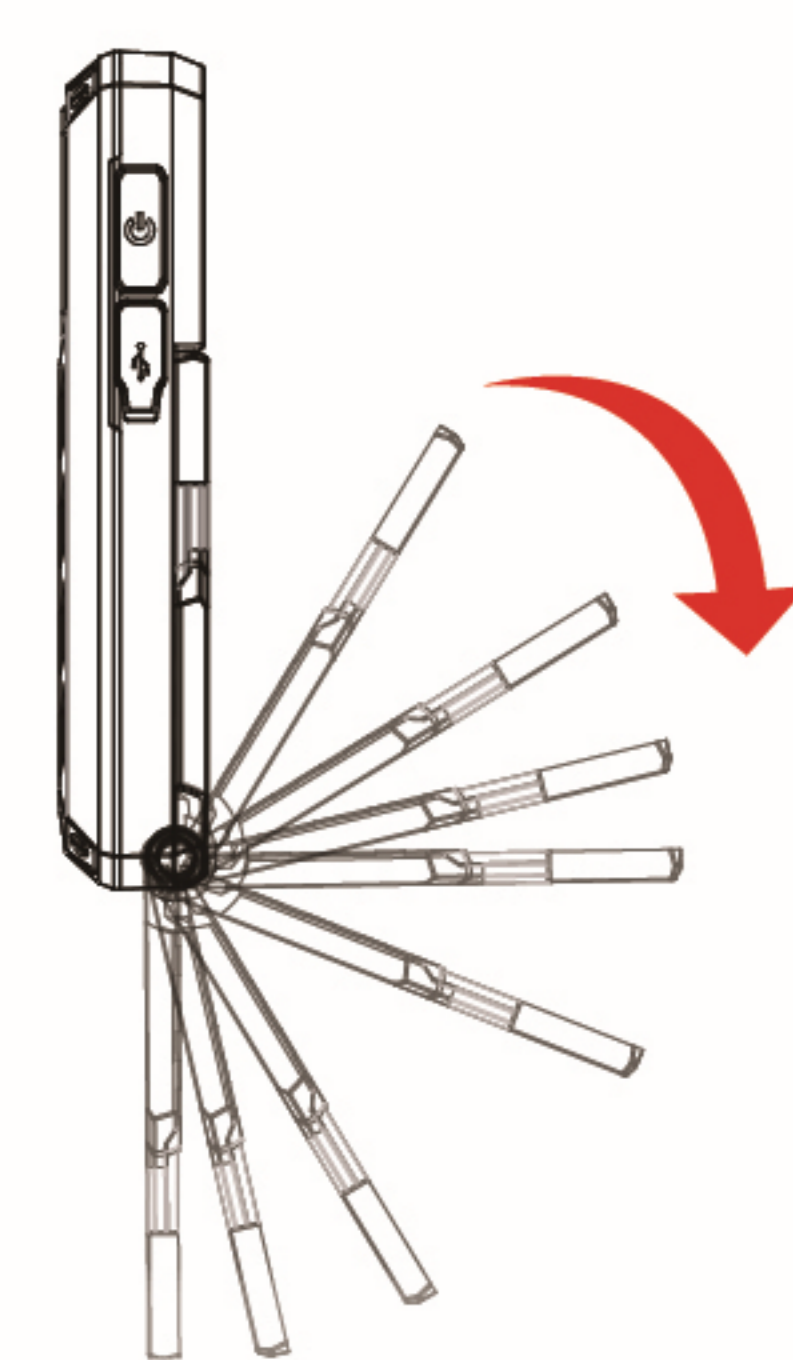
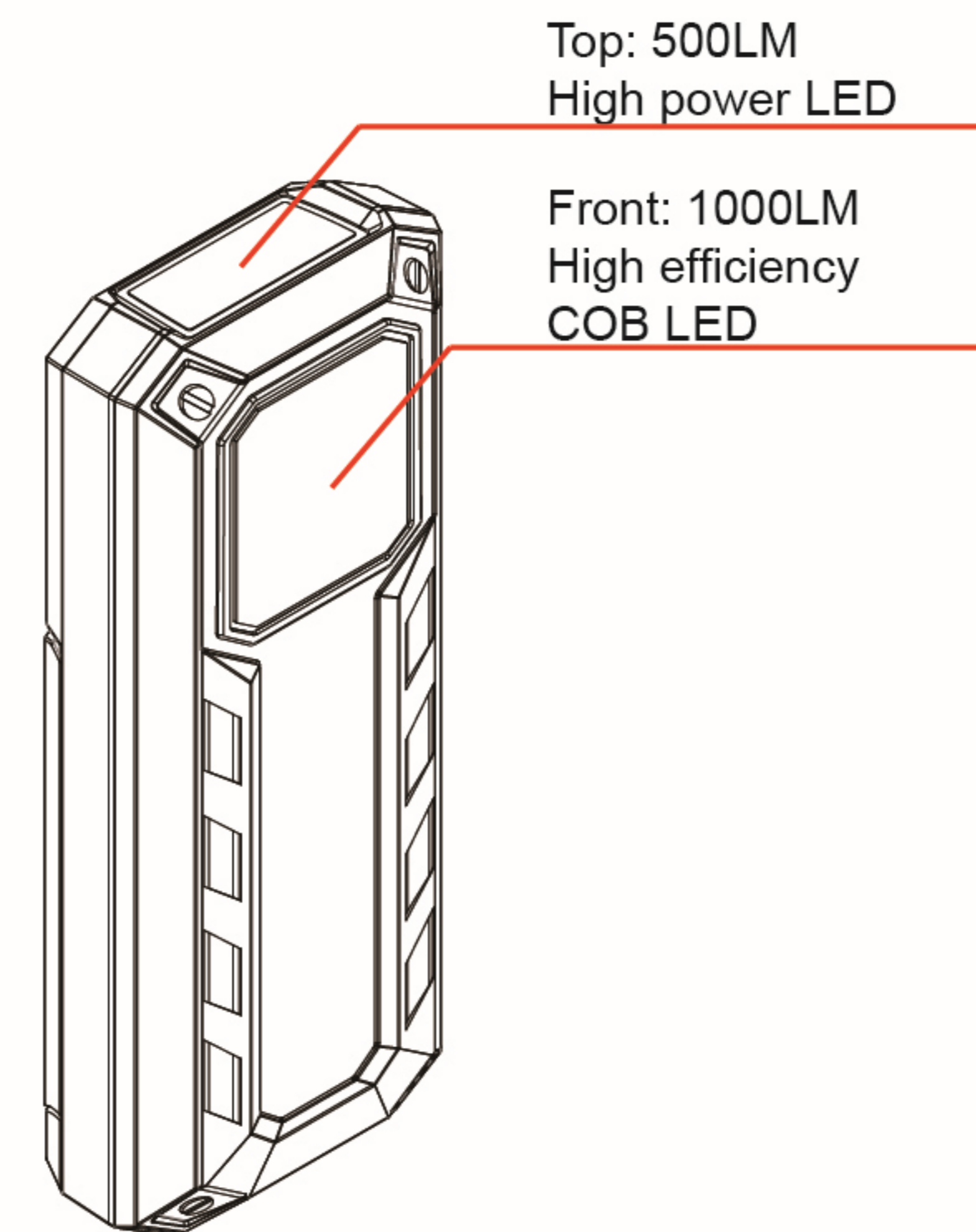


1000Lm Multifunction COB LED Slim Work Light with super bright torch light

Rech. Batt. 3600mAh

ET-1318 1000LM

1. The compact and ultra-slim design makes the lights comfortable to carry and use.
2. Strong magnetic base - Our rechargeable work light comes with Built-in strong magnet, which make it can be firm stay on car or any other metal surface.
3. Utility Hook design - The back of the worklight has a foldable hook, can hang the worklight in the position that needs also can fold receive, save a space. The hook design allows the work lamp to be hang on objects such as tents use as camping light.
4. Portable & light weight - This work light is designed for multi-purpose, perfect for indoor and outdoor activities, It give you wild applications for home, car repair, camping, hunting, fishing, DIY, reading, etc.



5 IN 1 CLIP

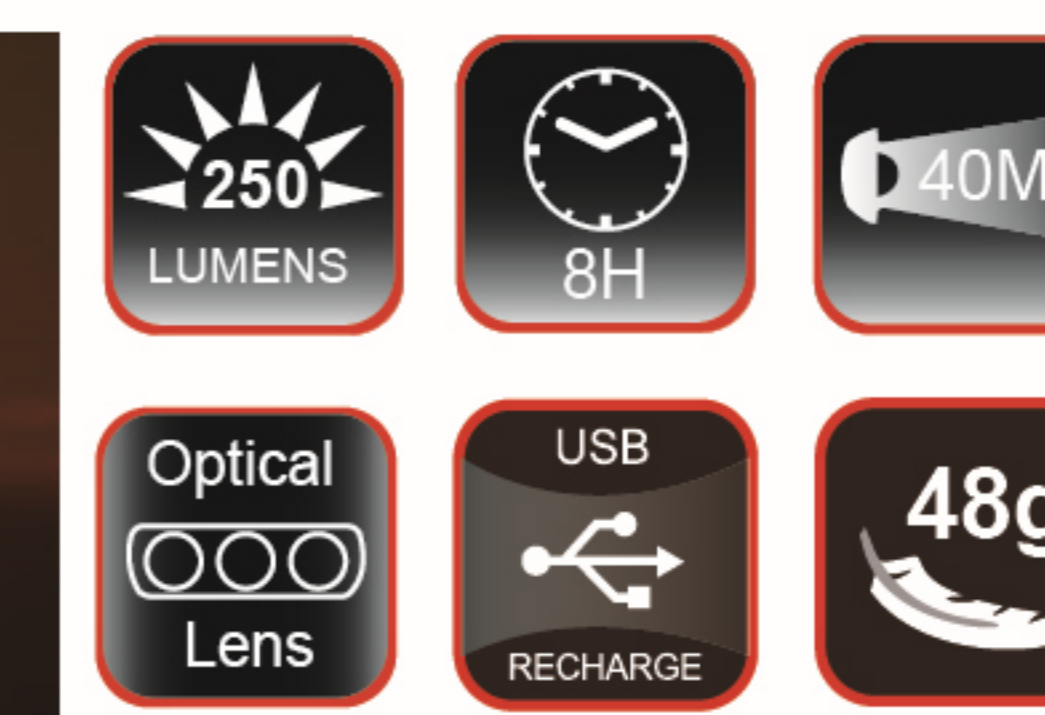
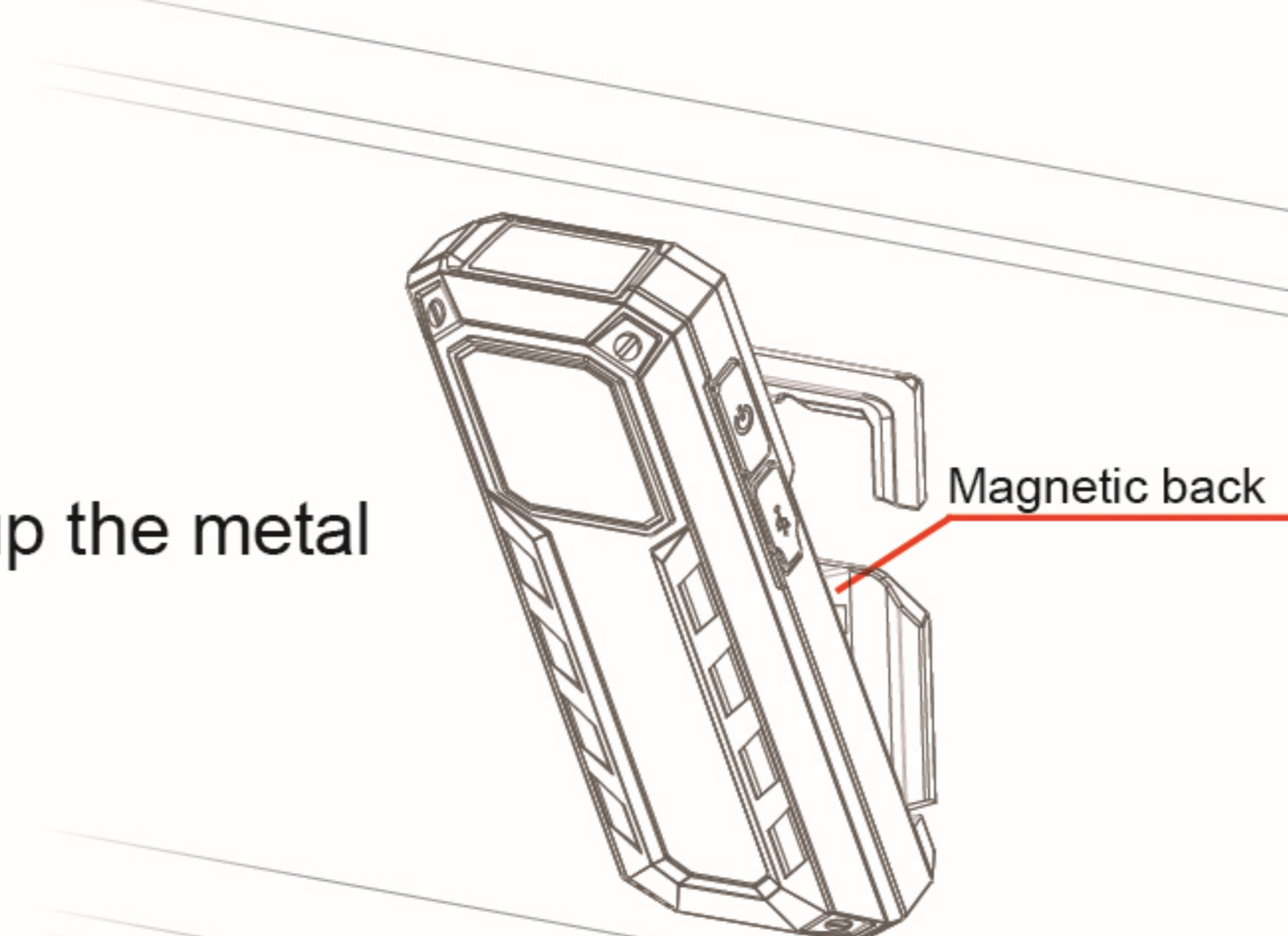
5 In 1 Clip design
5-in-1 clip offers adjustable stand, multi-angled Grip, strong magnet, hook and adjustable clip applications. Hook and magnetic base make the work light has a wider range of application. And you can put it in any place.



Magnetic back design
The magnetic design on the bottom makes it easy to pick up the metal surface & free your hands.



Focus beam - High power led
Top high-power LED can be used as a flashlight for narrow work areas.



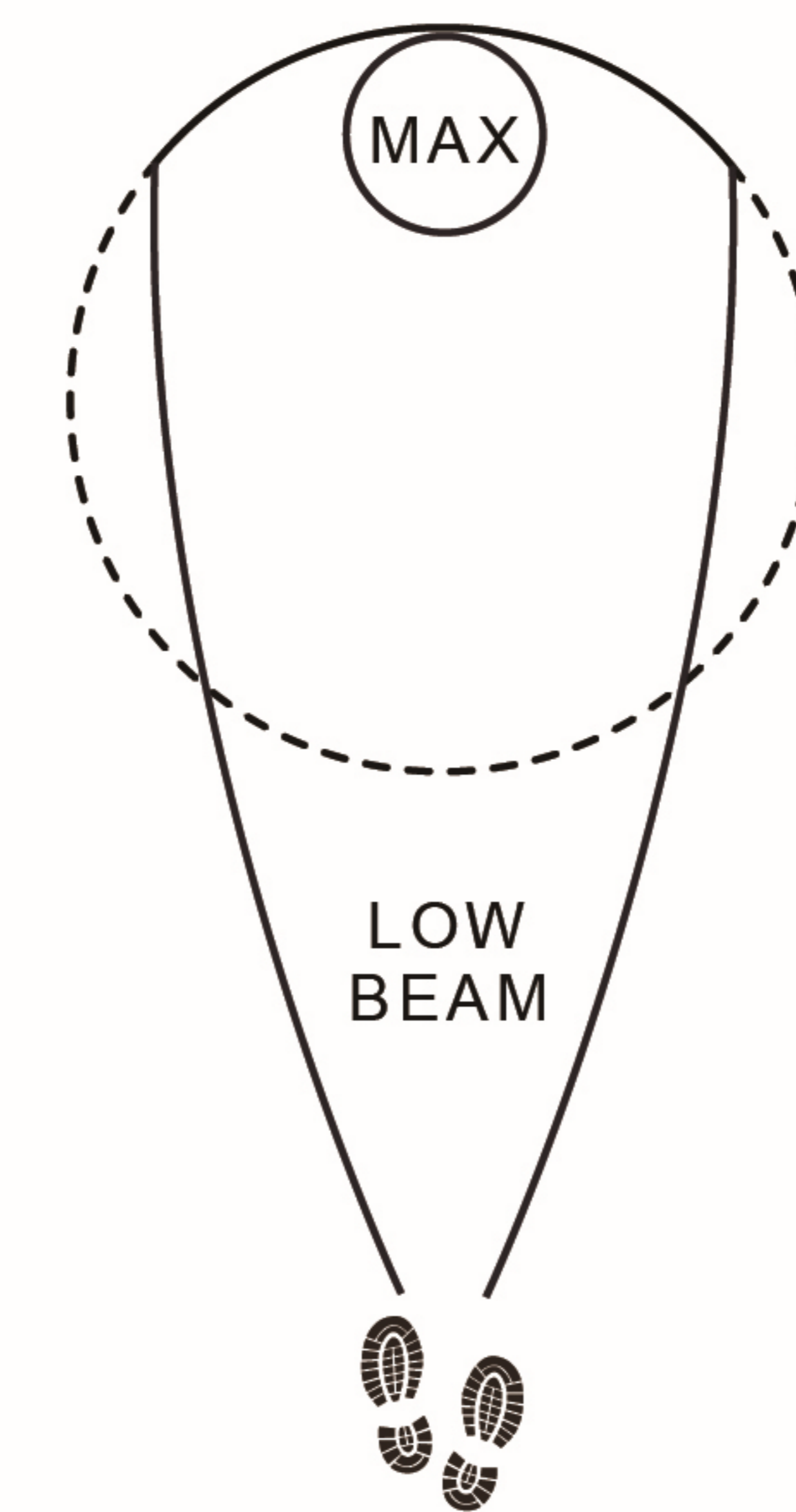
Clip to Fit Running light

Rech. Batt. 660 mAh

ET-1332 250LM

Rech. Batt. 480 mAh

ET-1332-C 150LM



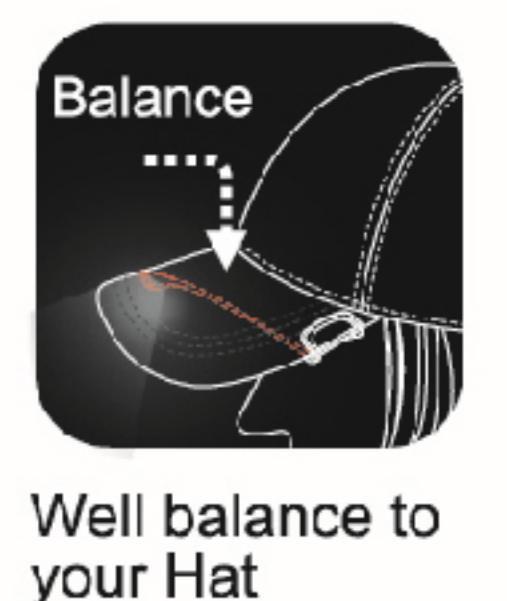
1. Adjustable clip to fit different kinds of caps



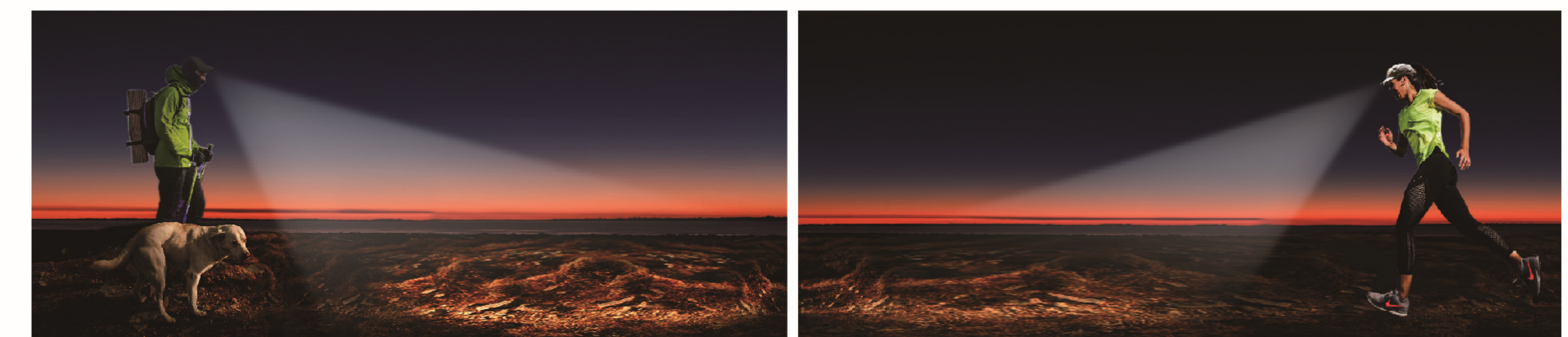
2. Fashionable and perfectly fitted to your cap. Hidden concealed design to clip it under the brim of cap securely.



3. Close to forehead by means of the lever and the gravity of light on the cap to keep the light from sagging or swaying.



4. The unique optical design offers the light beam spreading evenly from tiptoe to the far distance. Let the user not afraid to take every step forward.

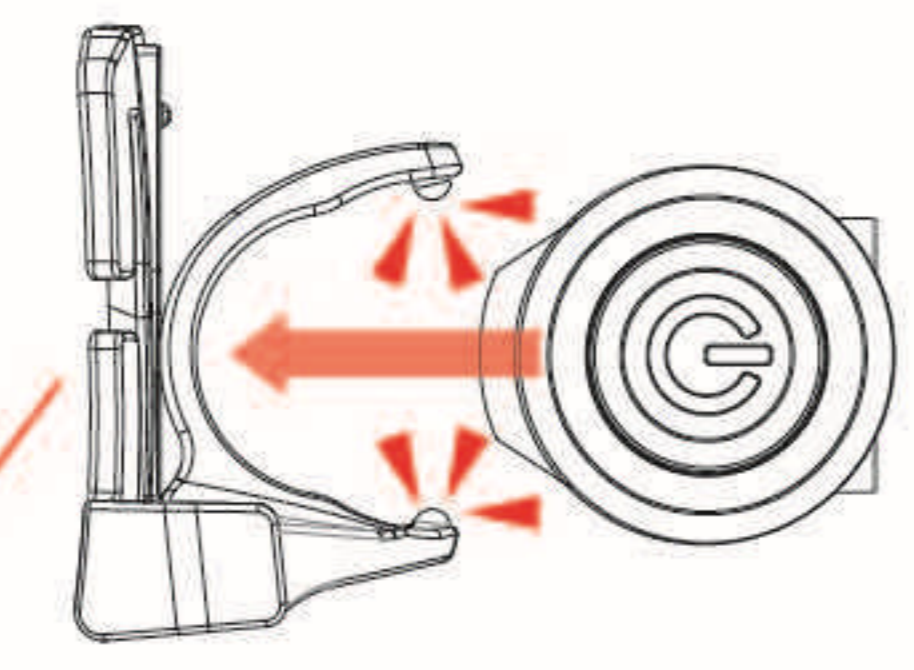




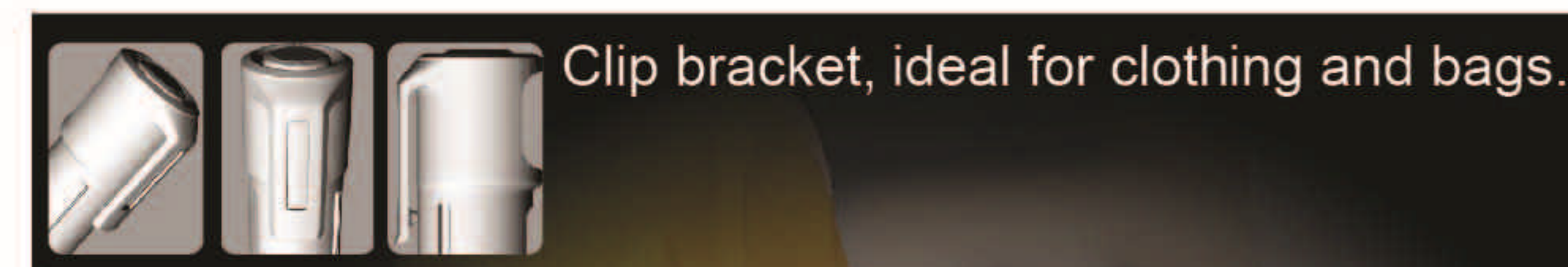
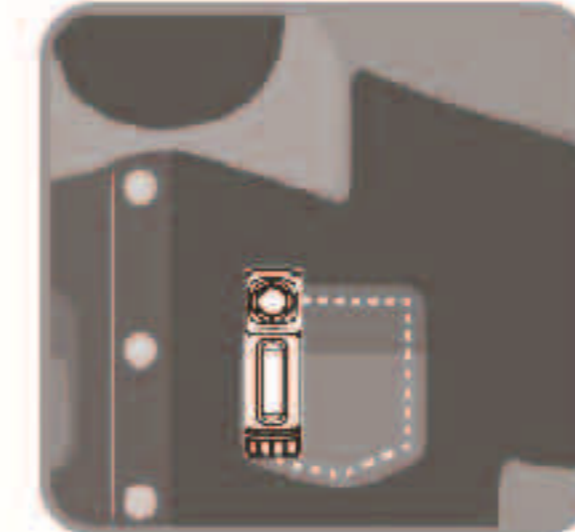
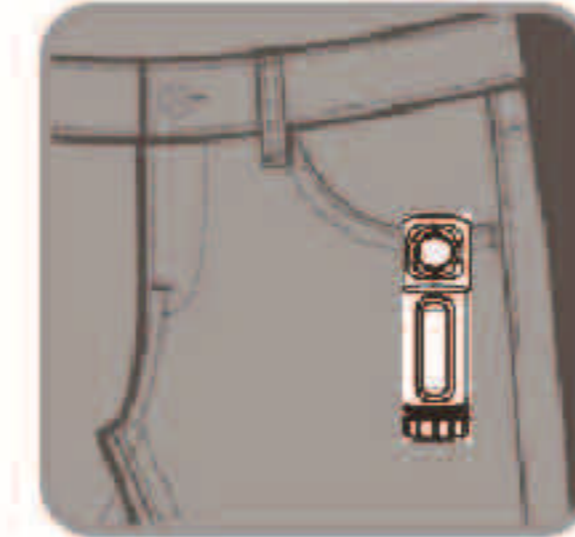
ET-1317-D & ET-1317-DR : Red COB

LED Headlamp

1. All in One: work as a headlight when mounted on the head, belt or bracket, becomes a torch or camping lantern when on its own.
2. 400LM Focused Main Light is built in with another soft and smooth COB broad beam, multifunctional features as ONE instead of MANY, convenient and easy to carry.
3. Compact design with ultra brightness high value.



Easy & Safe !!



Clip bracket, ideal for clothing and bags.



Dual Light

ET-1317 Headlamp + Torch (Camplight & Worklight)



ET-1317-D Red COB

Dual Light

ET-1317-R Headlamp + Torch (Camplight & Worklight)

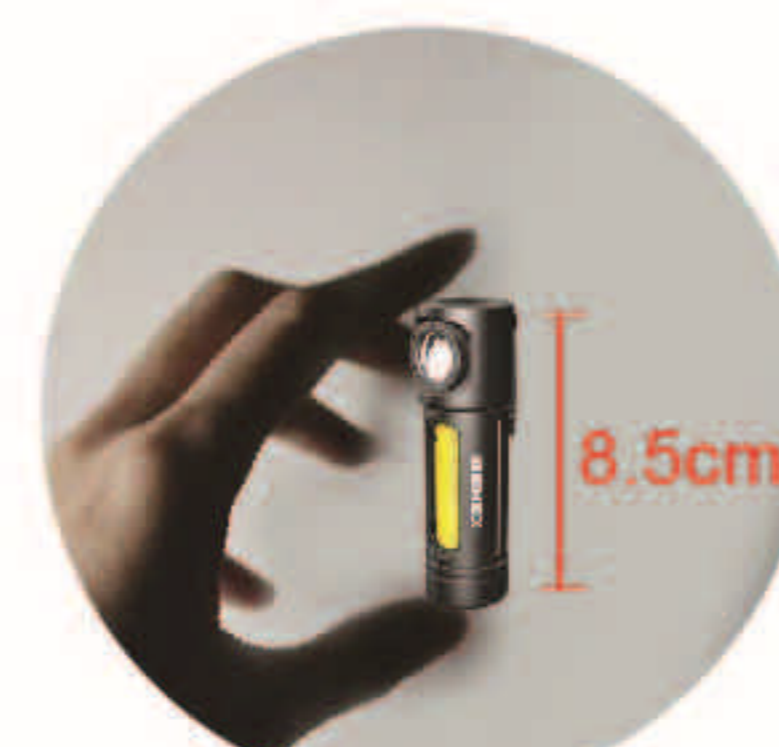


ET-1317-DR Red COB



Spot beam

Flood beam(COB)



Small & Compact

Torch

ET-1317-T Torch (Camplight & Worklight)



Torch

ET-1317-RT Torch (Camplight & Worklight)

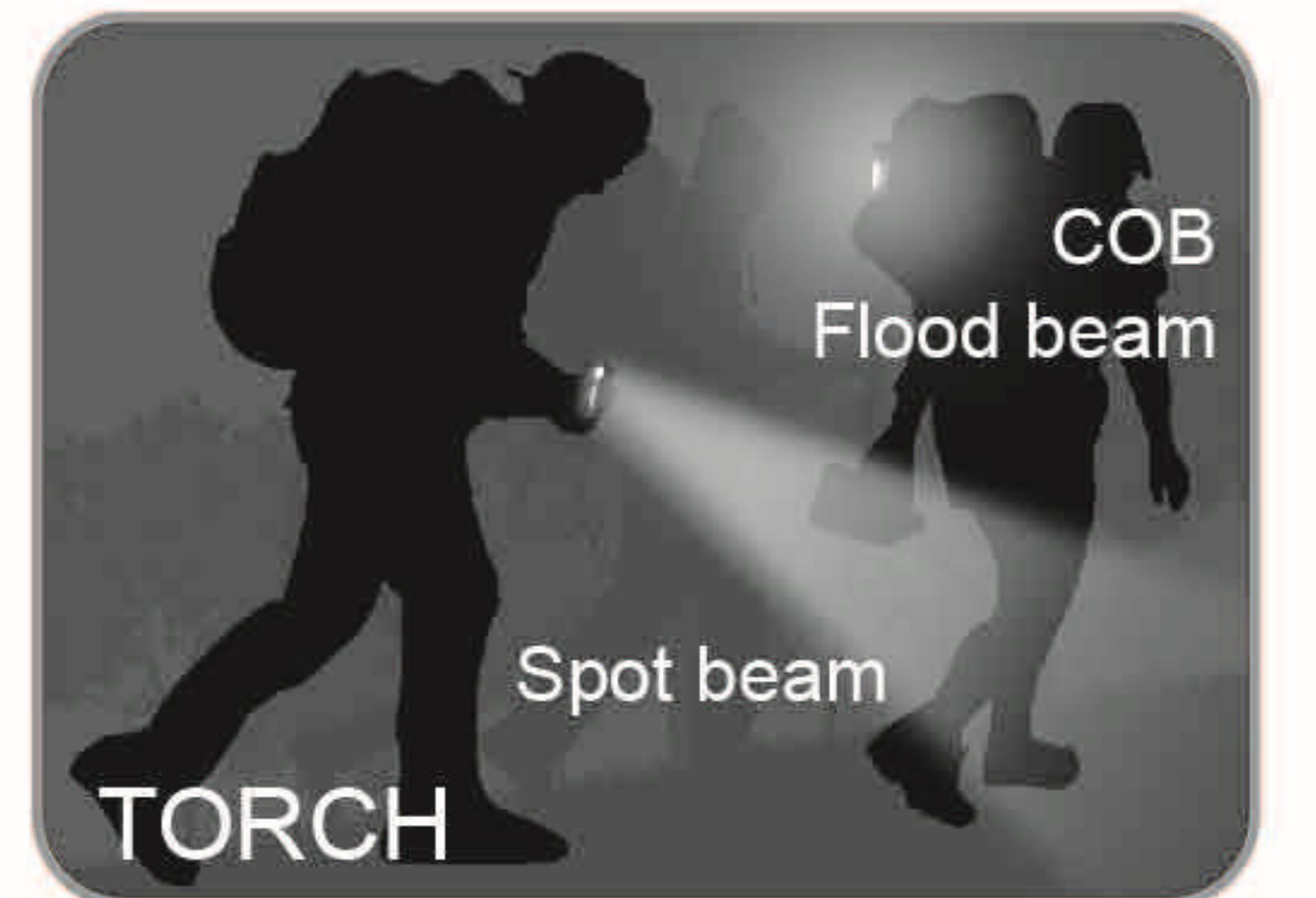


WORK LIGHT

HEADLIGHT

BIKE LIGHT

CAMP LIGHT



TORCH

Switch to the Spot / Flood beam, adjustable lighting according to different needs.



Magnetic tail cap design easy attach to any metal surfaces for maintenance



Clip on the torch is designed to go on belt, bag or strap



Can be used as a camp light or guideness



Work as bike light, easy to switch to focused / COB flood light for various scenarios

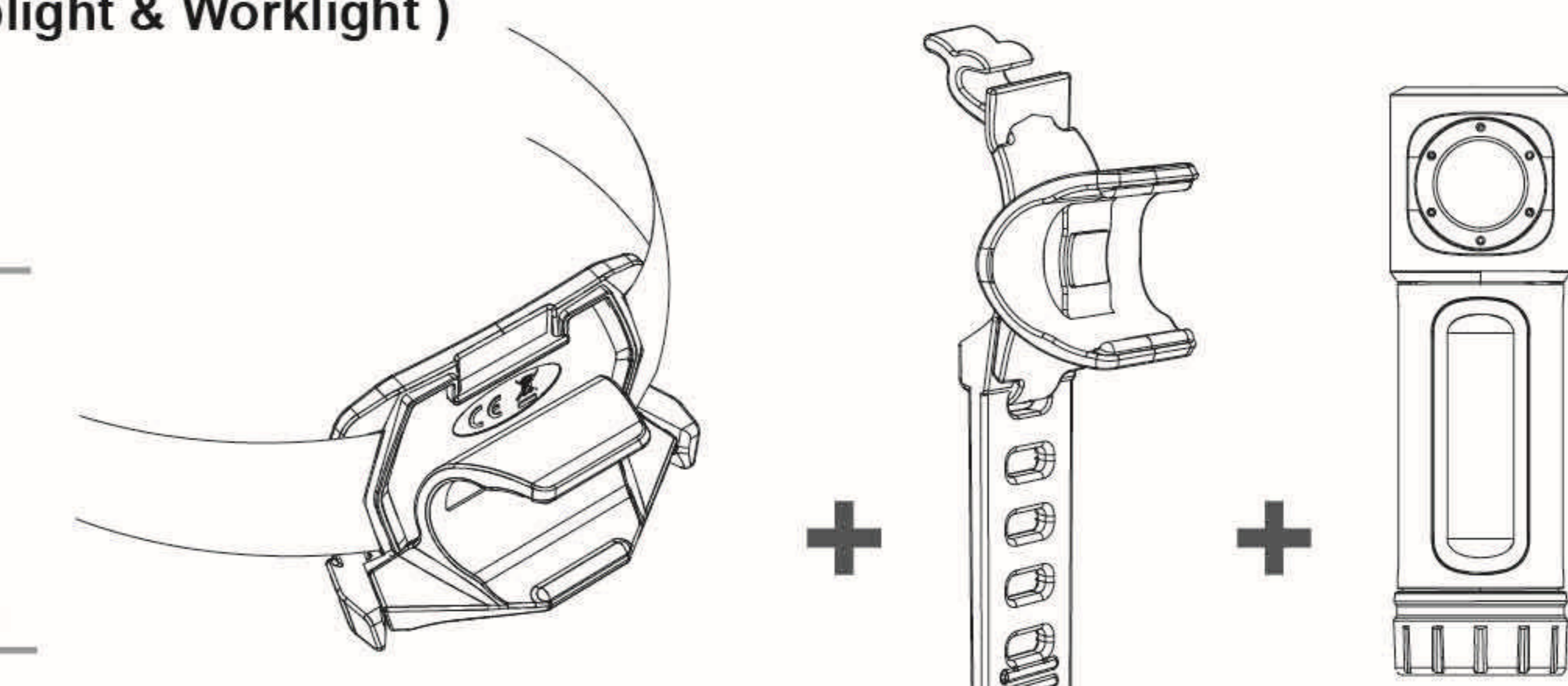
Utility Light

Headlamp + Bike light + Torch (Camplight & Worklight)

ET-1317-FB



ET-1317-RFB



Headlamp Bracket & Head Strap

Bike light Bracket

Torch Camplight Worklight



Headlamp

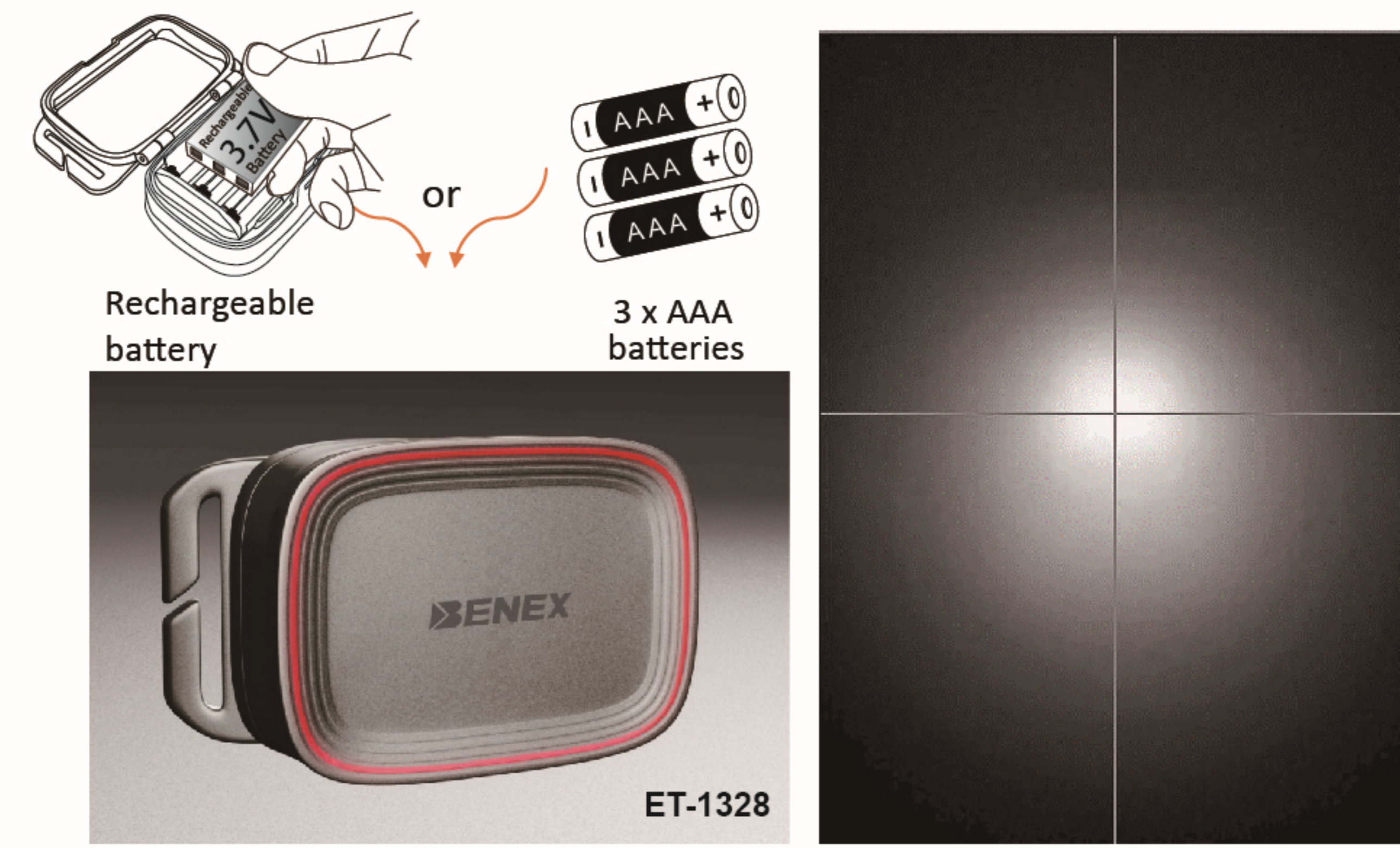
Bike light

Torch Camplight Worklight

Headlamp which is powered by Both dry batteries and rechargeable battery. It runs on AAA batteries, which means that you can easily double – or triple – the burn time by simply bringing more batteries. Well-balanced, thanks to the remote battery pack on the back-- The ergonomic back plate is designed to hold the battery steady on the back of your head. Multi-beam lighting adapts to a wide variety of situations.



ET-1328 comes with the rechargeable battery and is also compatible with three AAA / LR03 batteries (not included).



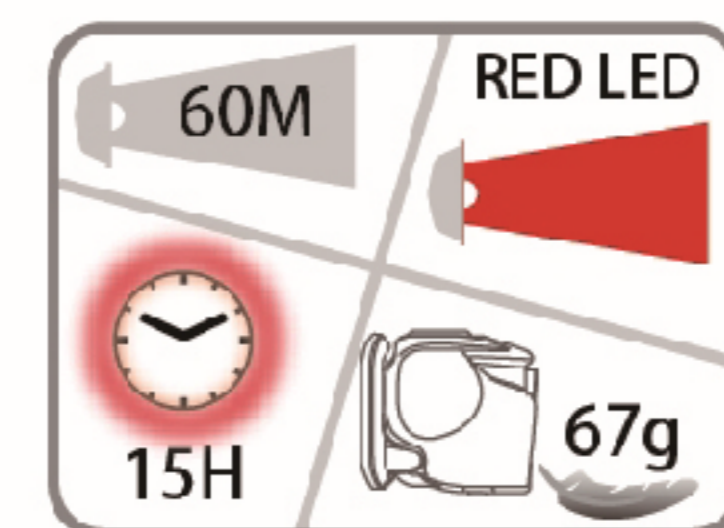
Rechargeable battery pack With safety light - a red rear light adding extra visibility in the dark.

The unique optical design offers broad and wide vision from near to far road illumination.

Double Vision Headlamp

ET-1328 Rechargeable battery or 3 x AAA batteries

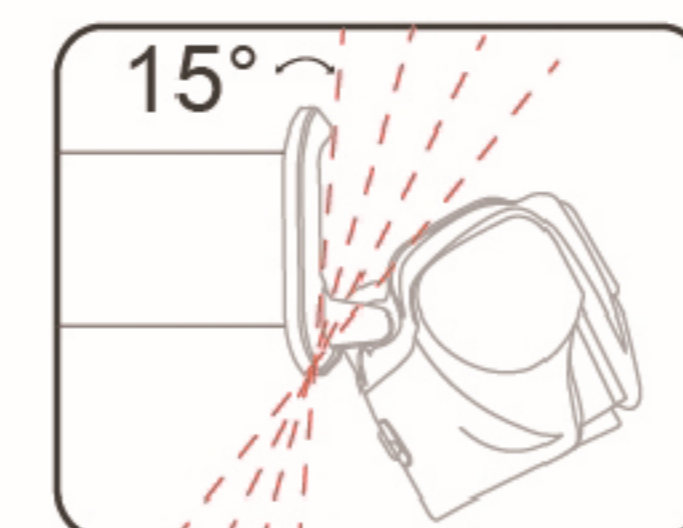
ET-1328-R 18650 Li-ion rechargeable battery 1800mAh



Power saving, long lasting runtime, light weighted, small and compact.

Position adjustment

1. Adjust the length of head strap to fit your head.
2. Max. adjustable angle 60 degrees



Unique Optical Lens with Focused / Broad beam design, illumination for Both far / near sight to make hiking safer.

Red for reading, astronomy star, maps, and preserving nightvision, hunting.

Ideal for mountain climbing, Emergency Rescue, Maintenance...etc.

Water Proof-IPX 4

450 Lumens Headlamp. Unique Optical Lens with Focused / Broad beam design, illumination for Both far / near sight to make hiking safer. Red for reading, astronomy star, maps, and preserving nightvision, hunting. Great for hiking, DIY, Repairing, Reading...etc. A Sturdy, Pivoting mount with 60 degree adjustable the light easily. Clear, soft, evenly light beam. Small, light weight, compact, elegant headlamp.



450LM Eagle-Eye Headlamp

Rech. Batt.1200 mAh

ET-1312

The light is clear and soft, evenly distributed. Light, compact, elegant, dynamic. 3 x AAA Batteries included. Low power dissipation and wide view angle - Ideal for overnight hiking, trekking, camping, trail running, care repair, changing tires, boating, dog walking, etc.



500 Lumens Wide-Angle COB LED Headlamp

ET-1327 White COB LED

ET-1327-D White / Red COB LED

LED Headlamp
Exclusive design for mountain climber.



ET-1315



ET-1315-W



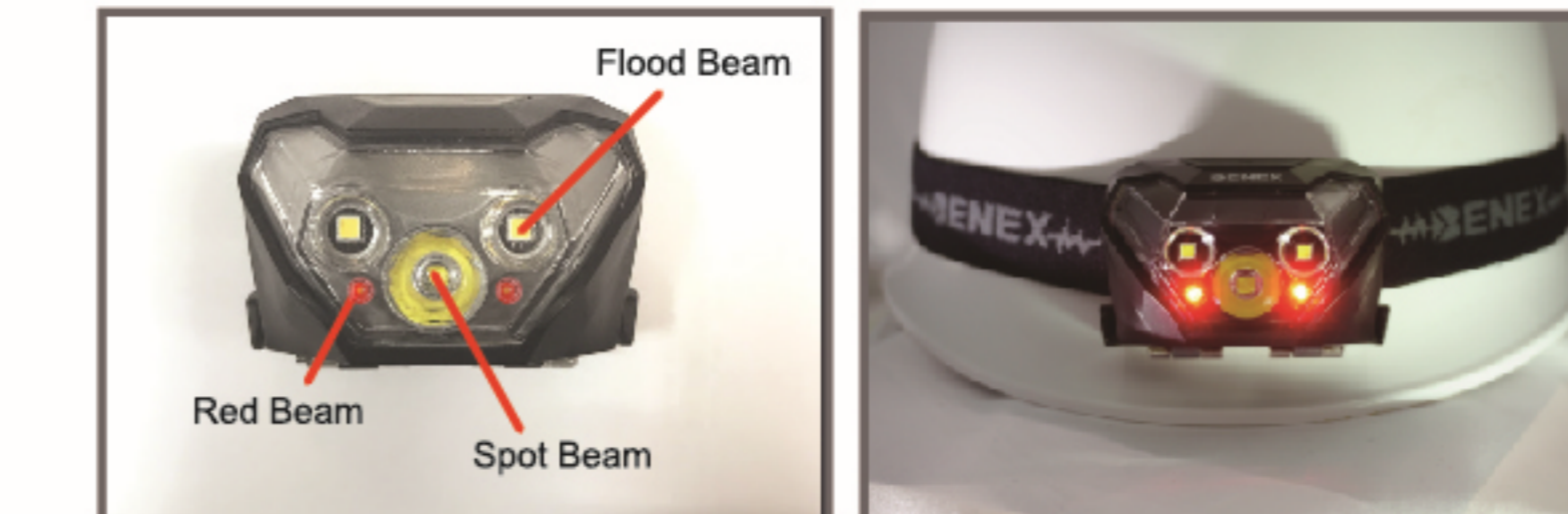
Nighthawk

1. Ultra bright 410Lm
2. Variation of lighting modes, suitable for different situations and movements.
3. Warm White / Red / Green light providing visual comfort.

Ultra-bright and lightweight: 500 lumens at only 60 g. 1. Visual comfort, giving high-performance lighting for outdoor activities: proximity vision, movement and distance vision. 2. Intuitive and convenient to use: Ease of use, with a single button providing control over all functions: ON / OFF, lighting modes, brightness. 3. Detachable, washable headband.



6W 500Lm Spot / Flood Beam LED Headlamp



ET-1326

300Lm Mist Radiance LED

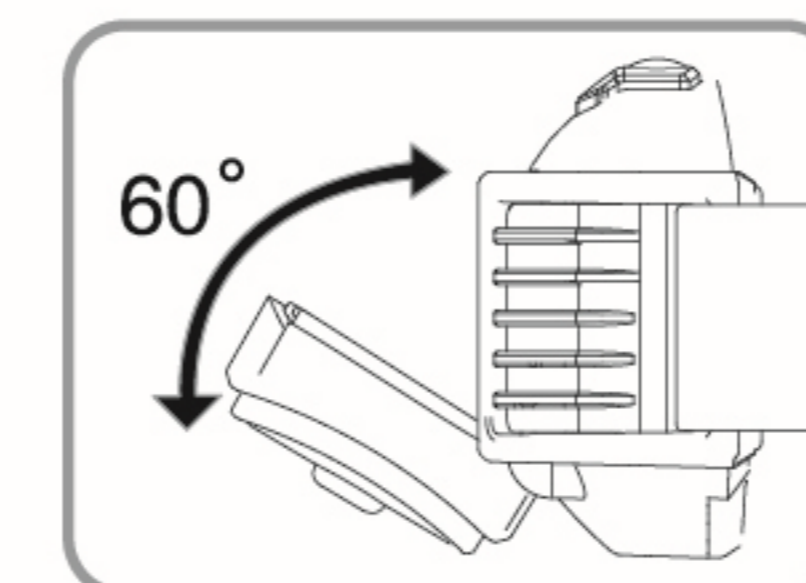


ET-1311 1. White / Fog Lamp 2. Zoom IN / OUT Mode



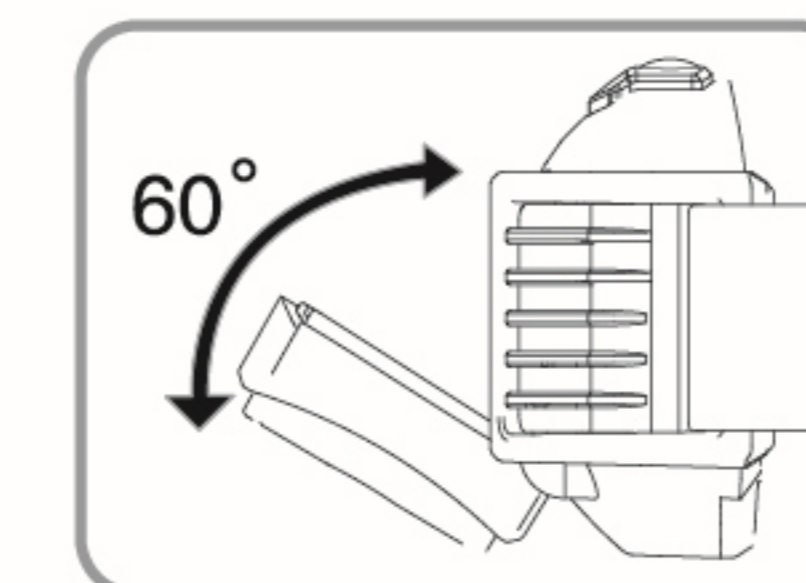
ET-0238

250Lm Multicolor



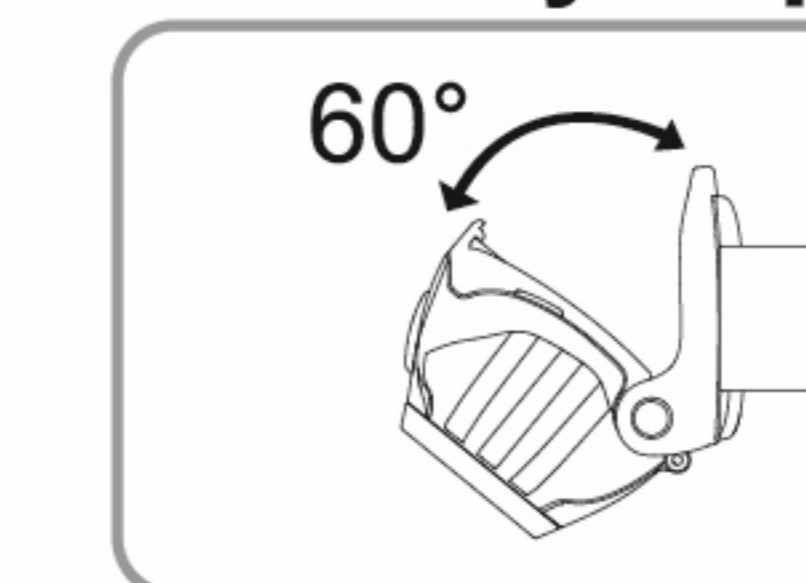
ET-0239

300Lm LED MINI



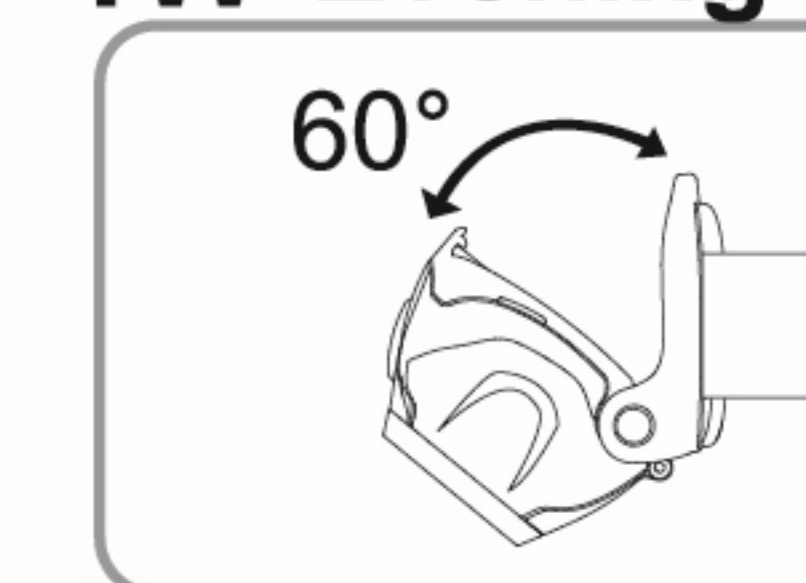
ET-9109

1.7W Cycloper



ET-9110

1W Evening Sra



HEAD STRAP OPTIONS
Multi-adjustable head strap

Fully Adjustable to Fit Most Sizes.
Fits over Hats, Caps, Beanies and Helmets.



F Head strap Fashion Pattern



Designed for ET-1317 & ET-1317-R & ET-1311.



Works with ET-1317 & ET-1317-R & ET-1326 & ET-1315 & ET-1315-W & ET-1311 & ET-1327 & ET-1312 & ET-1312-A.



B Head strap Brainwave Pattern



Designed for ET-1315 & ET-1315-W & ET-1326 & ET-1327 & ET-1312 & ET-1312-A.

Works with ET-1317 & ET-1317-R & ET-1326 & ET-1315 & ET-1315-W & ET-1311 & ET-1327 & ET-1312 & ET-1312-A.



C Head strap Camouflage Pattern



Designed for ET-1326.

Works with ET-1317 & ET-1317-R & ET-1326 & ET-1315 & ET-1315-W & ET-1311 & ET-1327 & ET-1312 & ET-1312-A.

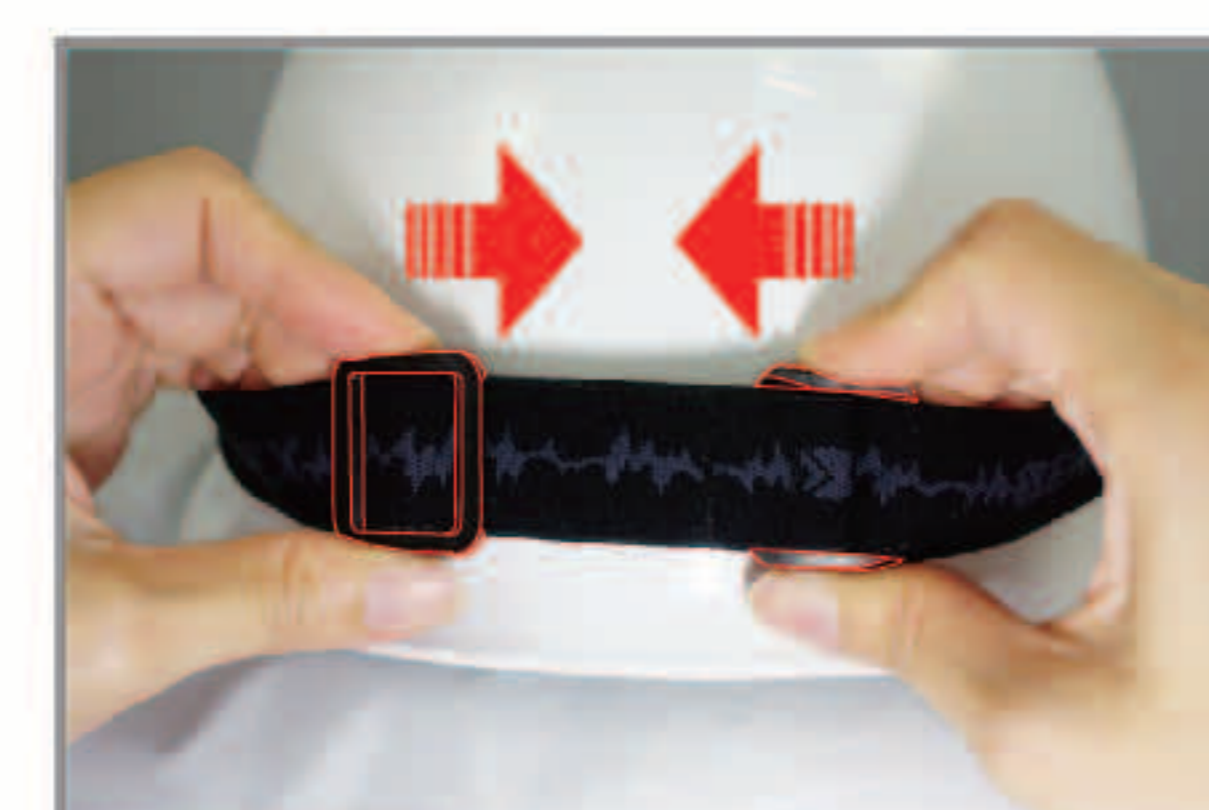
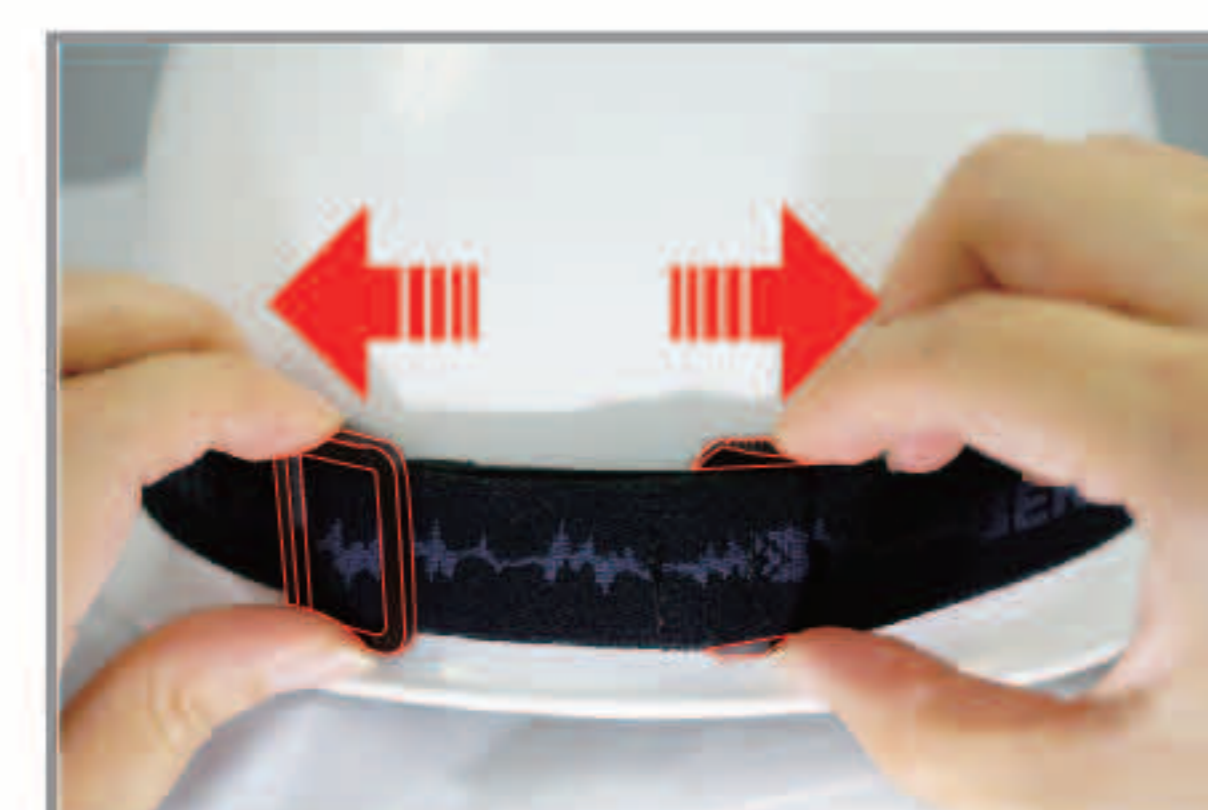
Adjustable and compact design.
One Size Fits All adjustable head strap mount allows for use on head and helmets.
Its fully adjustable design and forgiving elastic construction ensures a snug fit over helmets, hats, caps or simply worn comfortably on top of your head.
Works with ET-1317 & ET-1317-R & ET-1326 & ET-1315 & ET-1315-W & ET-1311 & ET-1327 & ET-1312 & ET-1312-A.



Q Head strap Quick, Easy Adjustment



Exclusive design-
On the reverse side
Adjustable Sliding Centre Double D-Ring

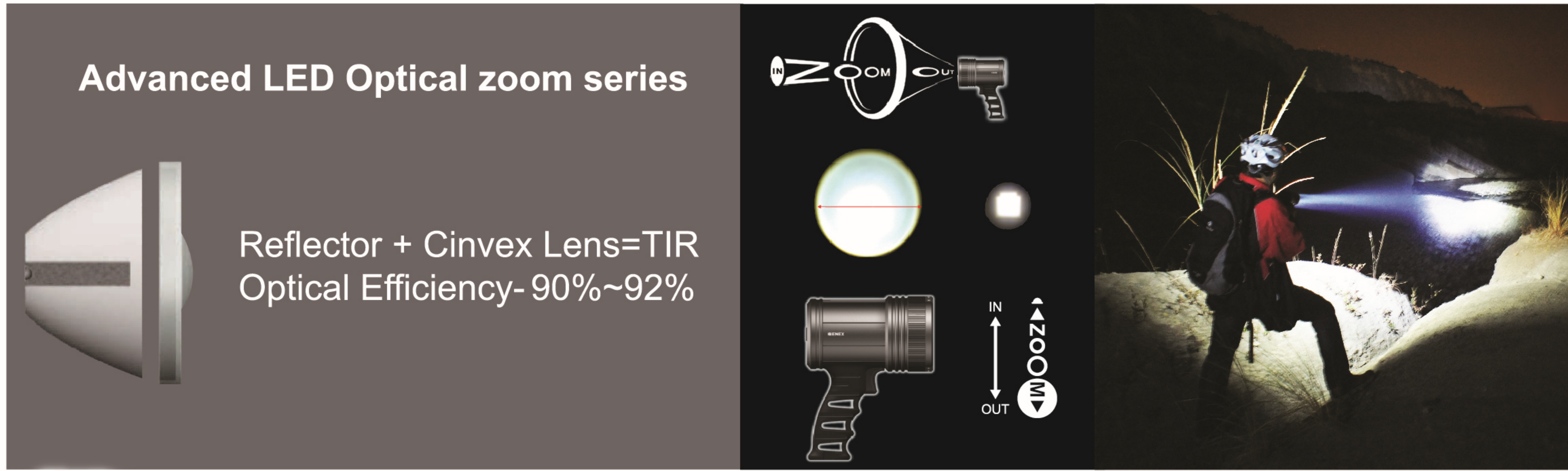


Unique design- Adjust the head strap tightness of the headlamp on the helmet

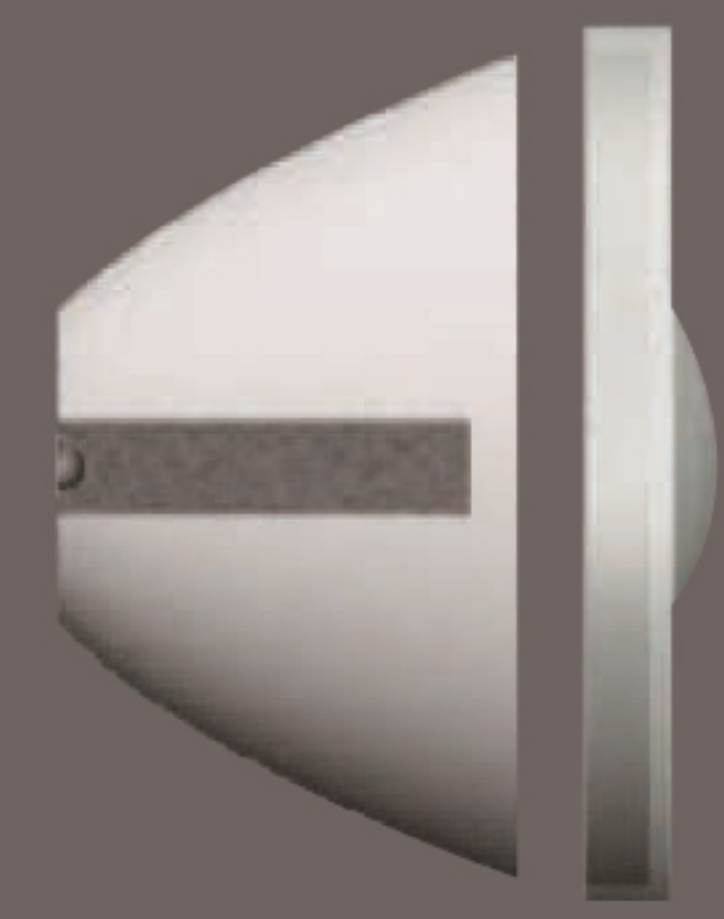
HEADLAMP OVERVIEW

| ANSI STANDARD | NEW | | NEW | | NEW | | | |
|---------------------|--|--|---|---|---|--|---|---|
| | ET-1317-D | ET-1317-DR | ET-1315 | ET-1315-W | ET-1312 | ET-1327 | ET-1327-D | ET-1332 |
| Page | 31 | 31 | 34 | 34 | 33 | 33 | 33 | 30 |
| Max. light output | 150LM±15% | 400LM±15% | 410LM±15% | 410LM±15% | 450LM±20% | 500LM±20% | 500LM±20% | 250LM±20% |
| Max. runtime | High (Spot Beam) 3H Med (Spot Beam) 7.5H Low (Spot Beam) 16H Flood White COB 3H Flood Red COB 3H Flashing 28H | High (Spot Beam) 3H Med (Spot Beam) 7.5H Low (Spot Beam) 16H Flood White COB 6.5H Flood Red COB 3H Flashing 20H | Full 2.5H Normal 64H Red 25H Green 40H Flashing 27H | Full 2.5H Normal 64H Warm white Assisted light 6.5H Flashing 27H | High 3H±20% Med 6H±20% Low 9H±20% RED 6H±20% Flashing 15H±20% | High 2.5H±20% Med 5.5H±20% Low 42H±20% Flashing 30H±20% | High 2.5H±20% Med 7H±20% Low 42H±20% RED 12H±20% Flashing 80H±20% | MAX. 2.5H±20% Standard 5.5H±20% ECO. 8H±20% |
| Peak beam intensity | 380CD | 2080CD | 1400CD | 1400CD | 1000CD | 160CD±20% | 160CD±20% | 480CD±20% |
| Beam Distance | 55M±20% | 90M±20% | 75M | 75M | 60M | 25M | 25M | 40M |
| Impact Resistant | 1M | 1M | 1M | 1M | 1M | 1M | 1M | 1M |
| Water Proof | IPX 6 | IPX 6 | IPX 6 | IPX 6 | IPX4 | IPX4 | IPX4 | IPX4 |
| Size | 84 x 38 x 42mm | 84 x 38 x 42mm | 67 x 37 x 47mm | 67 x 37 x 47mm | 68 x 43 x 39mm | 67 x 37 x 47mm | 67 x 37 x 47mm | 169 x 85 x 52mm |
| Weight (Batt. Excl) | 30g | 50g | 62g | 62g | 67g | 58g | 58g | 48g |
| Battery | 1pc "AA" | 1pc 3.7V 800mAh | 3pcs "AAA" | 3pcs "AAA" | 1pc 3.7V / 1200mAh | 3pcs "AAA" | 3pcs "AAA" | 3.7V / 660mAh |
| Material | ABS / PC | ABS / PC | ABS / PC | ABS / PC | ABS / PC | ABS / PC | ABS / PC | ABS / PC |
| Light source | 1pc Cree LED & 1pc COB LED | 1pc Cree LED & 1pc COB LED | 1pc Cree LED & 4pcs Red / Green LEDs | 1pc Cree LED & 4pcs Osram warm white LEDs | 1pc Cree LED, 2pcs Red LED, 1pc Ø3mm Red LED, 1pc Red / Green LED | 1 x COB LED | 1 x COB LED | 3pcs X CREE LED & 1pc Green / Red LED |

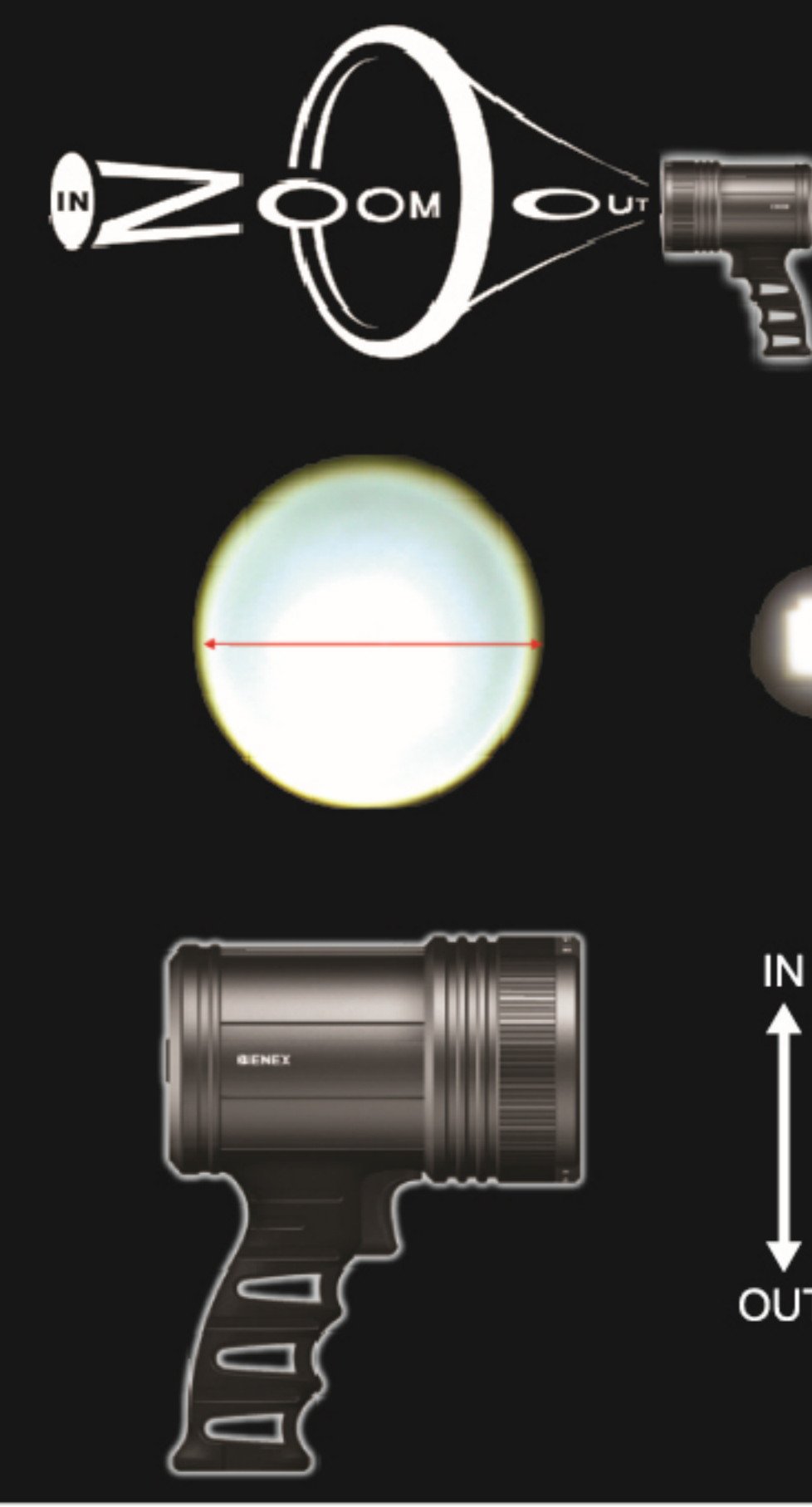
| ANSI STANDARD | NEW | | NEW | | NEW | |
|---------------------|--|---------------------------------------|---------------------------------------|---------------------------------------|---|--|
| | ET-0238 | ET-0239 | ET-9109 | ET-9110 | ET-1326 | ET-1311 |
| Page | 34 | 34 | 34 | 34 | 34 | 34 |
| Max. light output | 250LM | 300LM | 80LM | 60LM | 500LM±15% | 300LM±15% |
| Max. runtime | High 4H Normal 6H Red 70H Green 70H | High 6H Normal 12H Blinking 18H | High 7H Normal 16H Blinking 36H | High 6H Normal 19H Blinking 35H | Max beam 2.5H High flood 10H Low flood 32H Red 49H Flashing 64H | Normal 7H Full 3.5H Flashing 12H |
| Peak beam intensity | 100CD | 2400CD | 124CD | 57CD | 1400CD | 2280CD |
| Beam Distance | 20M | 98M | 22M | 15M | 75M | 95M |
| Impact Resistant | 1M | 1M | 1M | 1M | 1M | 1M |
| Water Proof | IPX 4 | IPX 3 | IPX 3 | IPX 3 | IPX 4 | IPX 3 |
| Size | 70 x 33 x 44mm | 70 x 44 x 41.5mm | 67 x 37 x 47mm | 67 x 37 x 47mm | 64 x 36 x 43mm | 67 x 37.5 x 46.5mm |
| Weight (Batt. Excl) | 40.7g | 45g | 38g | 39g | 60g | 56g |
| Power source | 3pcs "AAA" | 3pcs "AAA" | 3pcs "AAA" | 3pcs "AAA" | 3pcs "AAA" | 3pcs "AAA" |
| Material | ABS / PC | ABS / PC | ABS / PC | ABS / PC | ABS / PC | ABS / PC |
| Light source | 4pcs Osram LEDs & 1pc Red / Green LED | 1pc Cree LED | 1pc Cree LED | 1pc Cree LED | 1pc Cree LED & 2pcs Red LED & 2pcs Osram LED | 1pc Cree LED |



Advanced LED Optical zoom series



Reflector + Convex Lens=TIR
Optical Efficiency- 90%~92%



LED Spotlight

Rechargeable Version

Max. LED Output **2100LM**



Distance
530M



ET-0818

Position of multi-angled Grip

18W LED Zoom Spotlight
LI-Night-Hunter ANSI 1500LM

Adjustable multi-angle position as a Work light.

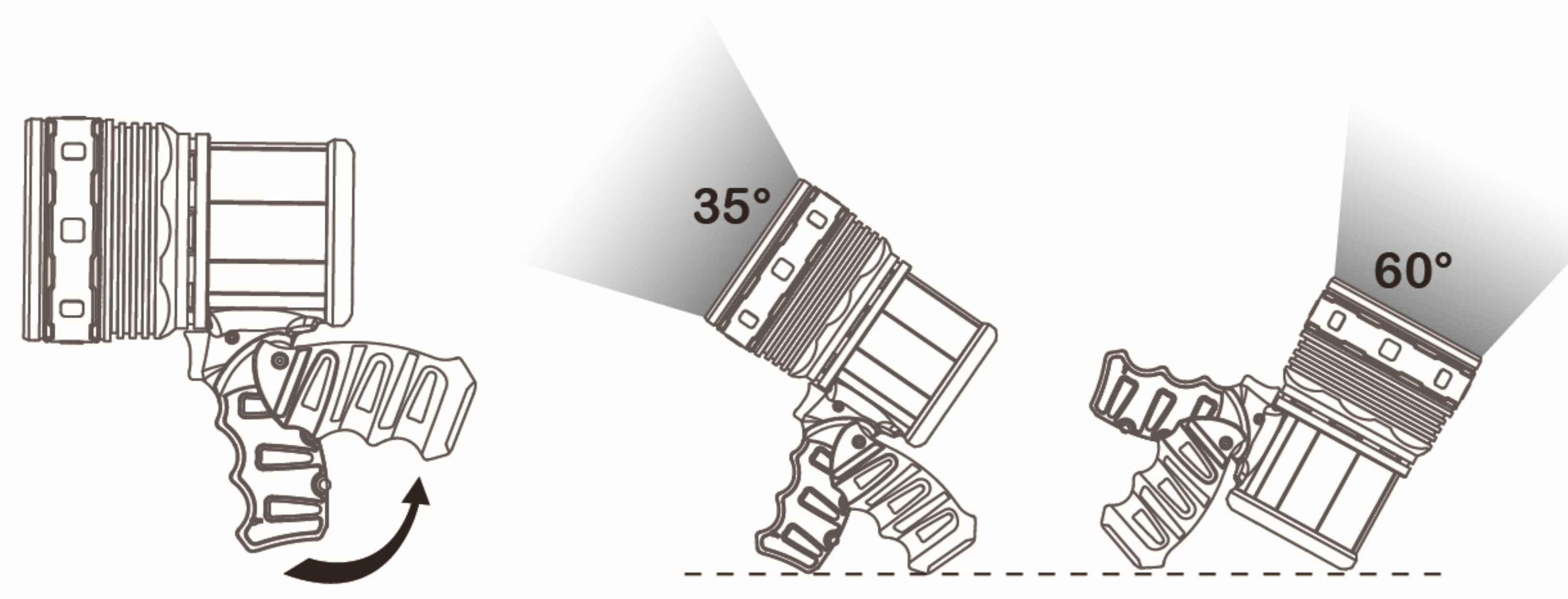
Exclusive patented zoom technology, easy and convenient to adjust short and long-range illumination

The size and distance of the illumination area can be adjusted as you like, suitable for engineering maintenance, military and police search for emergency rescue, mountaineering expedition.

Aluminum lamp body provides excellent fall, crush and impact resistance.

Patent Lens: reflector, convex and TIR.

Settings: High, mid, low, blinking.



| ANSI FLI STANDARD | Light output | Max. runtime | Peak beam intensity | Beam Distance | Impact Resistant | Water Proof | SIZE | WEIGHT (Batt. Inclu) | POWER SOURCE |
|-------------------|--------------|--------------|---------------------|---------------|------------------|-------------|---------------|------------------------|---|
| ET-0811 | 550LM±20% | 13H±20% | 20000CD | 280M±20% | 1M | IPX-6 | 146x86x180mm | 498g (Batt. not inclu) | 4pcs x "C" Batteries (Batteries not included) |
| ET-0813 | 550LM±20% | 13H±20% | 20000CD | 280M±20% | 1M | IPX-6 | 146x86x180mm | 469g (Batt. not inclu) | 4pcs x "C" Batteries (Batteries not included) |
| ET-0812-H | 600LM±20% | 10H±20% | 80000CD | 510M±20% | 1M | IPX-6 | 146x86x180mm | 560g | "18650" 3.7V / 3600mAh Lithium Batteries 1800mAh x 2pcs |
| ET-0815-H | 700LM±20% | 6H±20% | 80000CD | 510M±20% | 1M | IPX-6 | 137x80x173mm | 383g | "18650" 3.7V / 1800mAh Lithium Batteries x 1pc |
| ET-0816-H | 700LM±20% | 6H±20% | 80000CD | 510M±20% | 1M | IPX-6 | 150x100x188mm | 530g | "18650" 3.7V / 1800mAh Lithium Batteries x 1pc |
| ET-0817-H | 700LM±20% | 6H±20% | 68000CD | 520M±20% | 1M | IPX-4 | 152x112x192mm | 676g | "18650" 3.7V / 3600mAh Lithium Batteries 1800mAh x 2pcs |
| ET-0818 | 1500LM±20% | 10H±20% | 72000CD | 530M±20% | 1M | IPX-6 | 146x101x196mm | 752g | 3.7V / 5400mAh Lithium Rechargeable |

LED Spotlight

Battery Version



Max. LED Output
600LM

Distance
280M



10W AR-Night Hunter

ET-0811

ANSI 550LM



Max. LED Output
600LM

Distance
280M



10W GE-Night Hunter

ET-0813

ANSI 550LM

LED Spotlight

Rechargeable Version

Max. LED Output **908LM**



Distance
520M



10W VI-Night Hunter

ET-0817-H

ANSI 700LM

Multi-angled Grip



Distance
510M



8W LE-Night Hunter

ET-0816-H

ANSI 700LM

Multi-angled Grip

Max. LED Output **770LM**



Distance
510M



8W CA-Night Hunter

ET-0815-H

ANSI 700LM

Multi-angled Grip

Max. LED Output **660LM**



Distance
510M



10W TA-Night Hunter

ET-0812-H

ANSI 600LM

Multi-angled Grip



Benex's Power-Drive is a patented module technology. Energy achieves energy-saving through ECO frequency conversion, and exceeds brightness performance!



- 100**
LM
- 150**
LM
- 200**
LM
- 500**
LM
- 700**
LM
- 1100**
LM
- 1500**
LM

ET-0991 ET-0992 ET-0993 ET-0994 ET-0995 ET-0996 ET-0997

Power-drive Flashlight Series

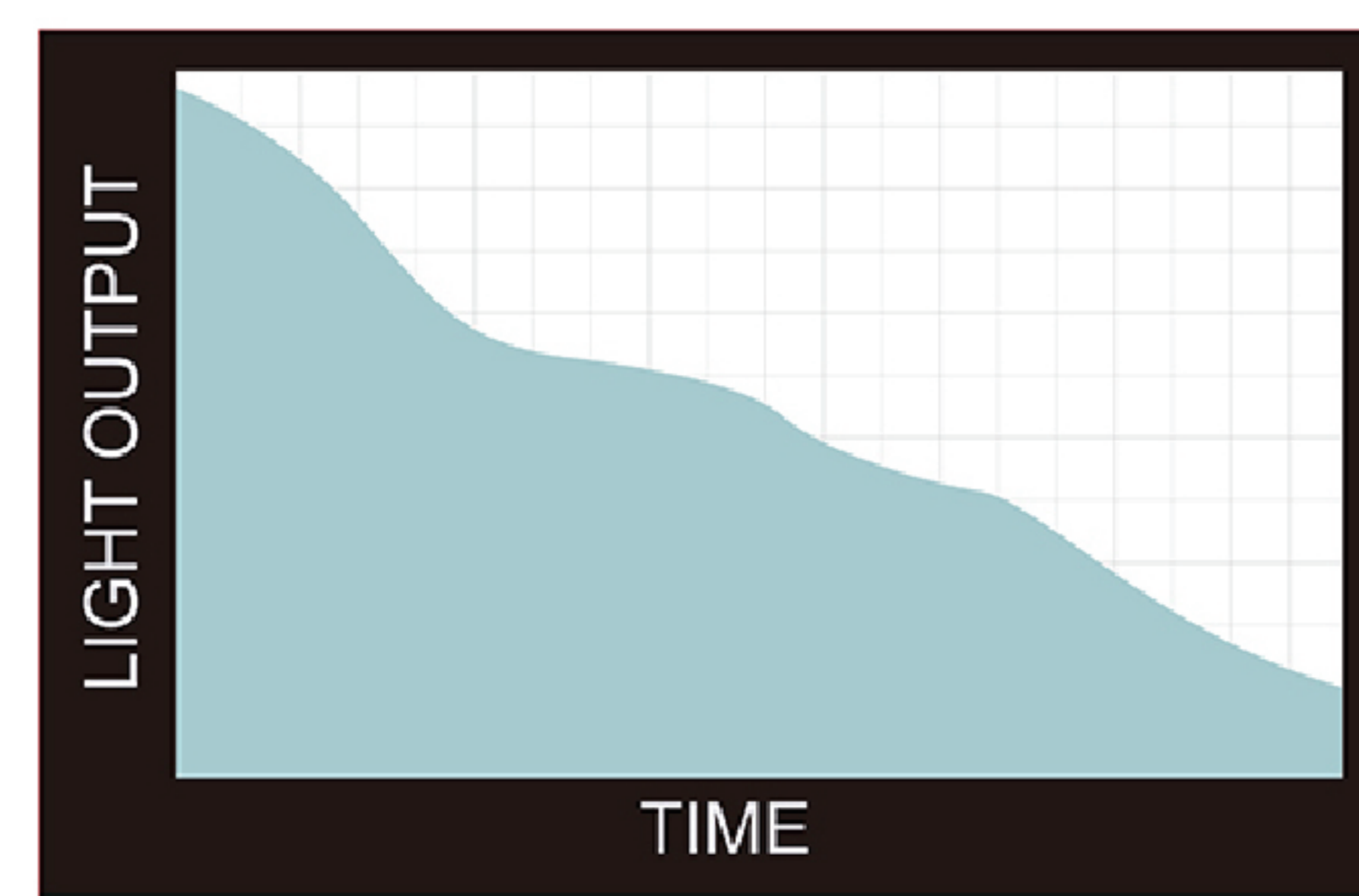
Dry battery

PATENTED MODULE TECH.

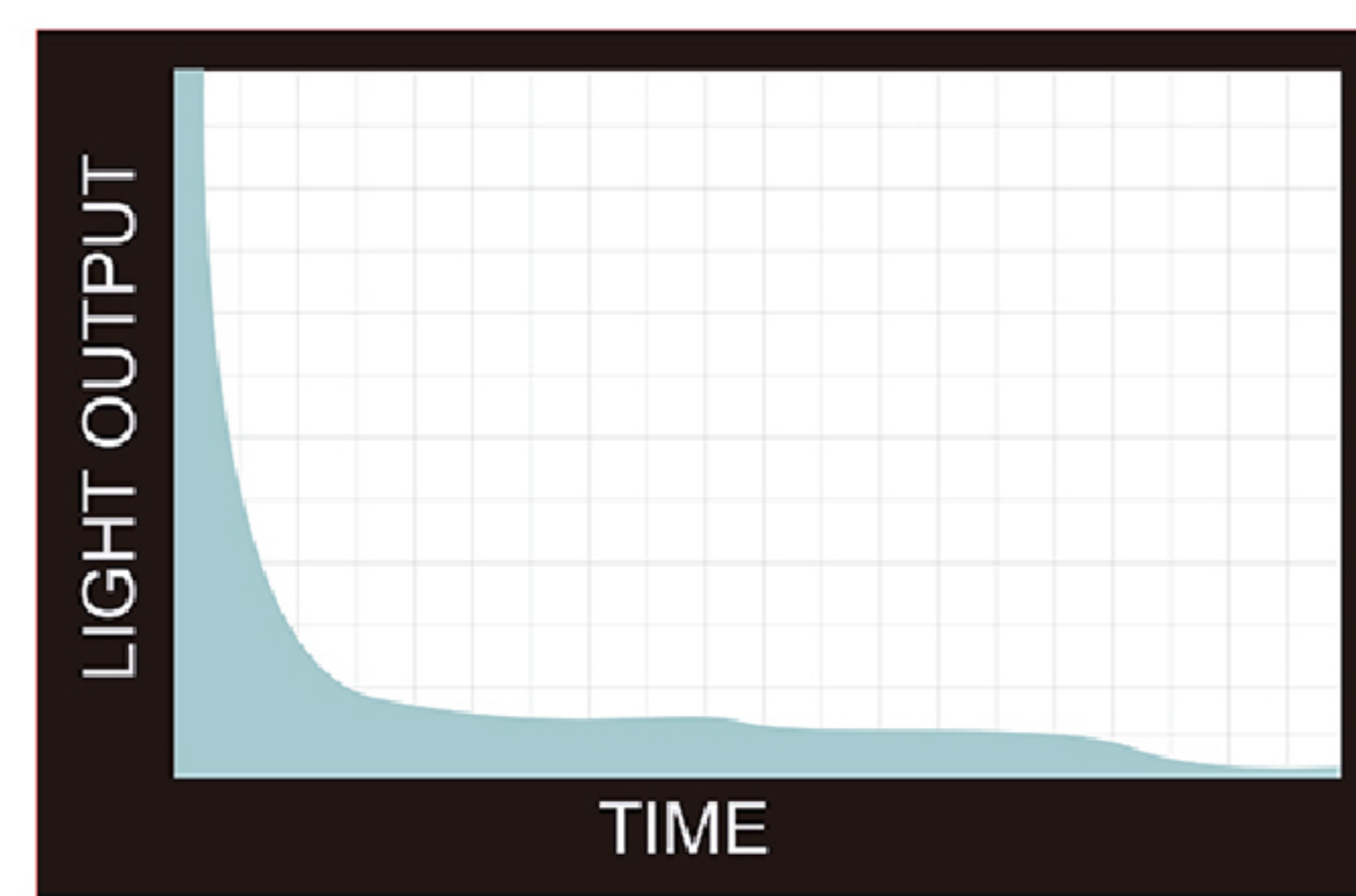
Benex's Power-Drive provides more light with longer run time than any other comparable flashlight.



FLOOD TO SPOT



BENEX



Other



Benex's Power-Drive is a patented module technology. Energy achieves energy-saving through ECO frequency conversion, and exceeds brightness performance!

3000
LM



ET-0970-U Ultra-bright LED FLASHLIGHT - Focus/Flood beam

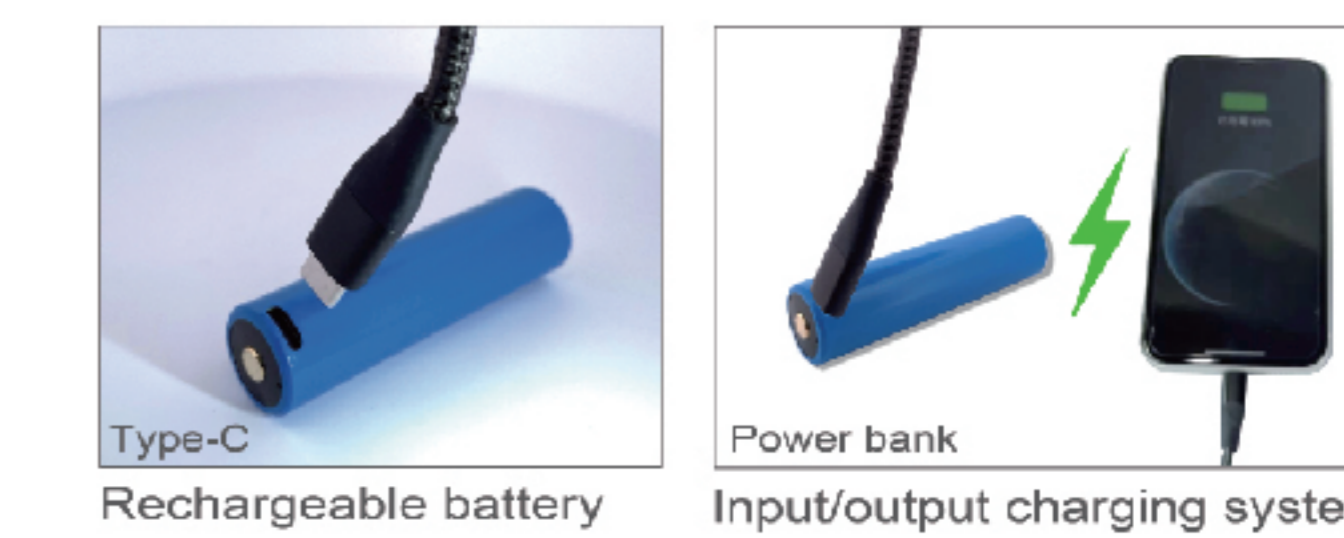


Benex's Power-Drive is a patented module technology. Energy achieves energy-saving through ECO frequency conversion, and exceeds brightness performance!

1000
LM



Powered by either dry batteries or rechargeable battery.



ET-0967 Hybrid Luminare 1000LM - Focus/Flood beam

Hybrid Luminare Series



ET-0967

1000
LM

Rechargeable Luminare Series



ET-0968

500
LM



ET-0969

1200
LM



ET-0970-O

3000
LM

100
LM



ET-0991-T Multi-Purpose Flashlight

135
LM



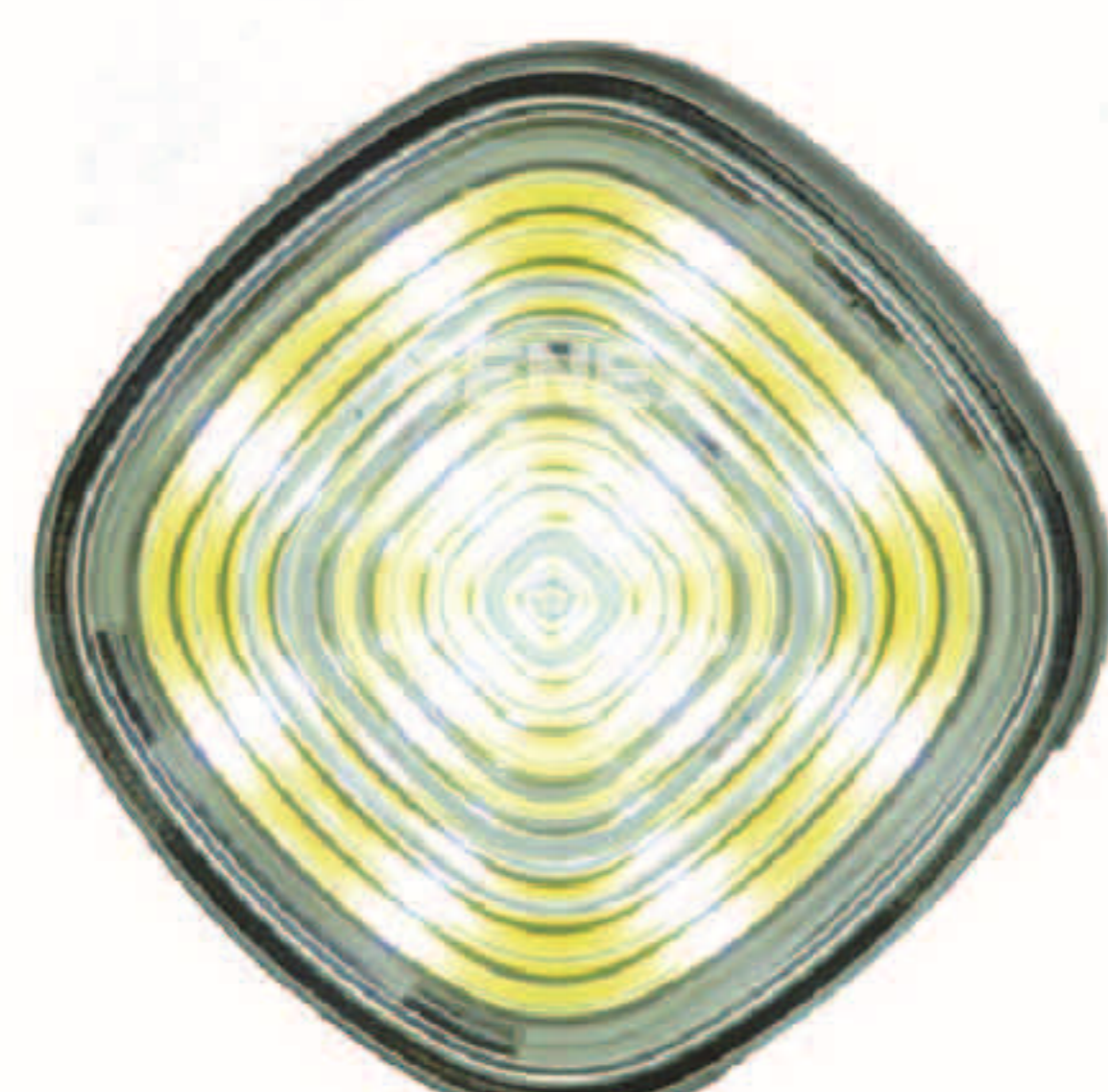
08-1305 Multi-Purpose Flashlight

Wide and Easy to Use

Whether you're cycling, running, jogging, walking your dog, camping, trekking, care repair, changing tires, boating, hiking or skateboarding, our safety lights will keep you safe and secure.

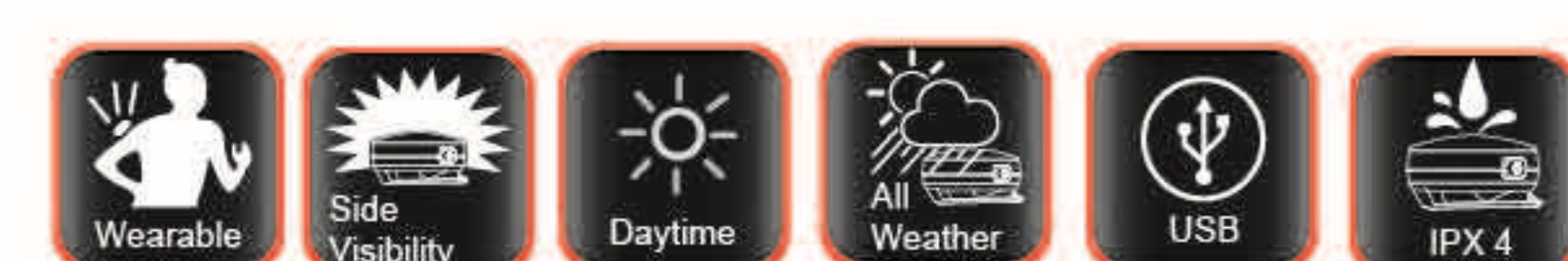
And it also easy to use, you just need to mount to your bicycle or hook it onto your belt, running gear, reflective vest, backpack, bags, dog collars, harnesses, or your clothing.

Even you can mount on your helmet, wheelchair, skateboard, scooter, stroller, bike trailer, or anywhere you can imagine.



Easily attaches to

- Saddle Bag
- Clothing
- Backpacks
- Helmet
- Head Strap
- Bike Trailer
- Bags



COB SAFETY LIGHT (RED)

Steady→Breathing→Fireworks→
Heartbeats→Pulse→Blinking→
Press 0.8s to turn Off

ET-1330-B ET-1330-D ET-1330-K

OPTIONS:

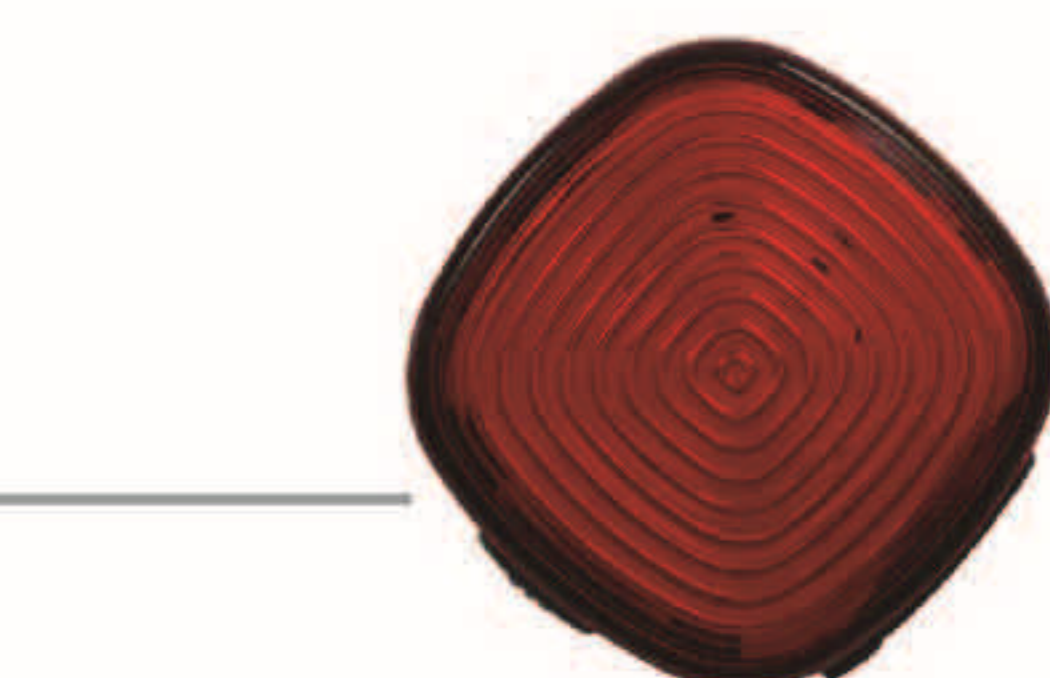
ET-1330-B
+ Bike Bracket



ET-1330-K
+ Bike Bracket



ET-1330-D
+ Bike Bracket
+ Head Strap
+ Armband Strap



COB SAFETY LIGHT (WHITE)

Steady→Breathing→Fireworks→
Heartbeats→Pulse→Blinking→
Press 0.8s to turn Off

ET-1331-B ET-1331-D

OPTIONS:

ET-1331-B
+ Bike Bracket



ET-1331-D
+ Bike Bracket
+ Head Strap
+ Armband Strap



LED SILICON SAFETY LIGHT

ET-1322-W

ET-1322-R

ET-1322-WR

ET-1322-2WR

ET-1322-2WRB

Stay visible and safe while performing outdoor activities. For camping, or at the park. Safety lights are great for runners, joggers, hikers, campers, trekkers, cyclists, students, and anyone involved in activities such as running, hiking, camping, trekking, care repair, changing tires, boating, dog walking, etc.



High-brilliance white LED

Clip On to Stay Safe and Be Seen at Night.

After dark, just push the button to use a safety light and that will illuminate your walking path and alerting motorists.



RED LED

Warning Light High Visibility for Running, Jogging, Walking, Cycling; Protective Gear for Children, Adults and Pets.



Hikers, campers, trekkers

Bicycle Trailer

Dog Walking

Runners, joggers

Clipcap LED Light



ET-1320



MR. Q LED Cap Light

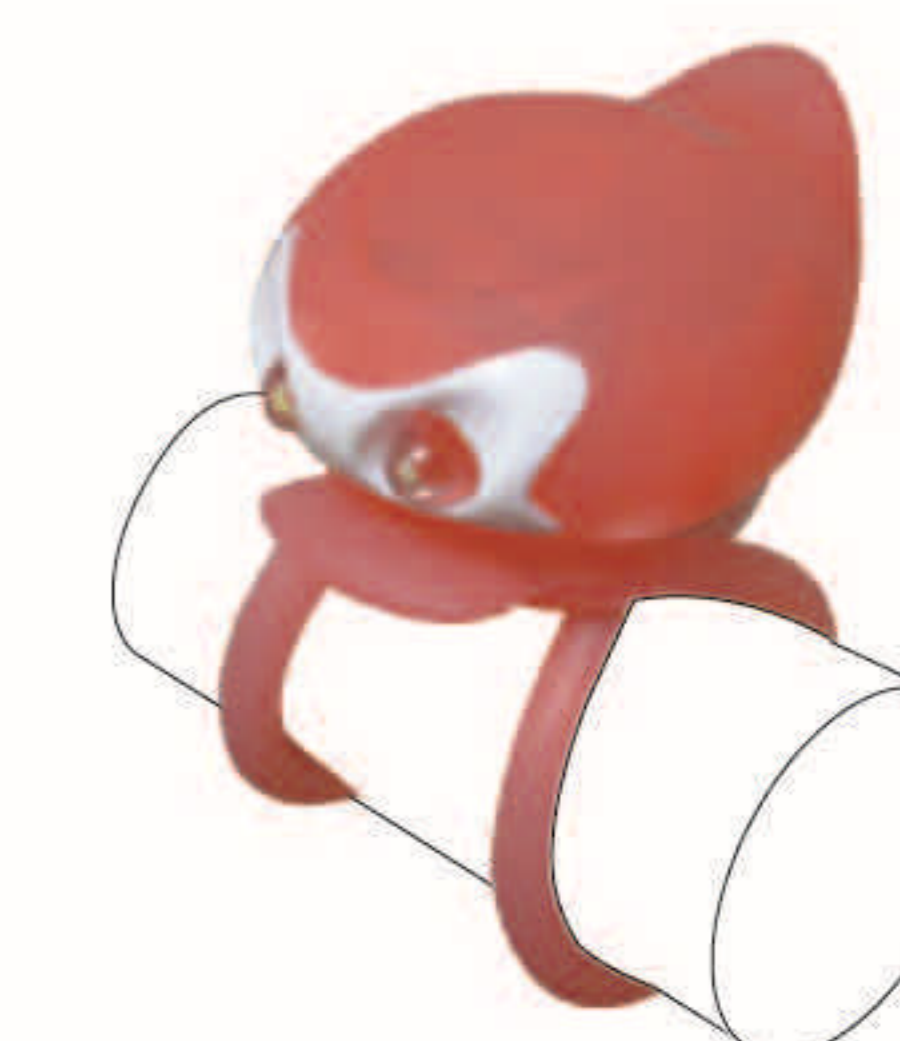
Size: 38.5 X 33 X 25 (mm)
2pcs X CR2032 3.6V/ 210mAh
Ultra-thin & Lightweight (15g)



ET-1321

Gizmo LED Cap Light

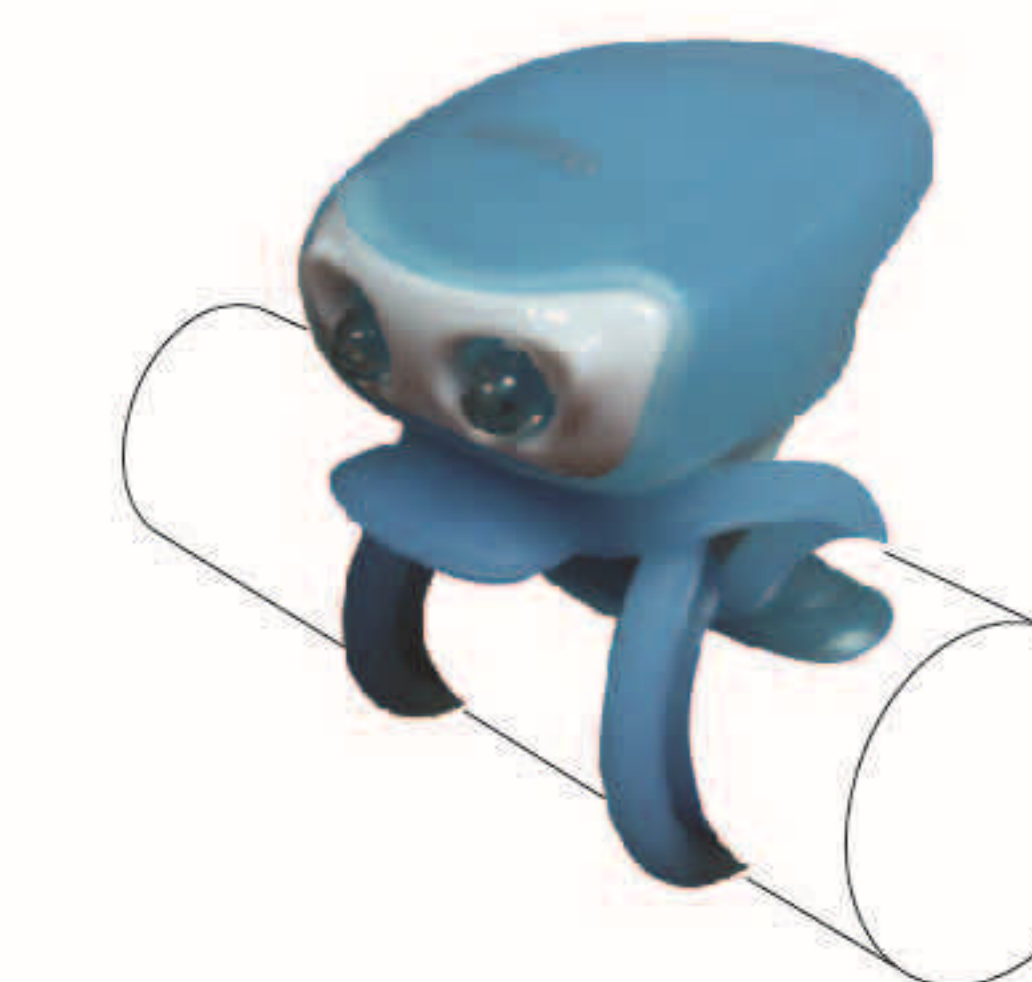
Size: 43 X 30.7X 25 (mm)
2pcs X CR2032 3.6V/ 210mAh
Ultra-thin & Lightweight (17g)



ET-1320-B

MR. Q LED Cap Light

W/Silicon Resin Band
Tie the silicon Resin band to the handlebar as well as to other objects.



ET-1321-B

Gizmo LED Cap Light

W/Silicon Resin Band
Tie the silicon Resin band to the handlebar as well as to other objects.

ET-0195

Static Eliminator Keychain

Size: 69 x 28 x 21mm
180pcs / ctn, 3.9 / 9.5kgs / 2.3'
3 x LR41 batteries



ET-0196

Static Eliminator Keychain

Size: 67 x 23 x 20mm
180pcs / ctn, 3.2 / 9.5kgs / 2.6'
3xLR41 batteries



ET-2115

Shell

2 in One Ambient Light

LED: Osram 0.5W LED x 2pcs
Power Source: 3pcs x "AAA" Batteries
Size: 111.4 x 69 x 40mm
Product Weight: 73g



ET-1601

Olympian

LED Lantern RGB & Torch

Size: 64 x 64 x 214mm
3Pcs x 1.5V "AA" batteries
Product Weight: 133g



ET-0701

Touchsmart Torch

Super bright 0.5W LED ≅ 10pcs 5LED.

Size: 104 x 37 x 27mm
1Pc x 1.5V "AA" batteries
Product Weight: 74g



Panel-Touch-Control to switch Front light and side lights



PT-0140

Wing Cooler

Size: 470 x 290 x 370mm
Open: 930 x 470 x 370mm
1pcs / ctn, 7.7 / 8.7kgs / 2.1'
Cooling: 12H / Capacity: 18.6L

1. Multi Function Rolling Cooler Picnic Camping Outdoor With Table & 2 Chairs.
2. It Is Perfect For A Trip To The Beach, A Trip To The Park, Or A Backyard Party.
3. Features Large, Wide Wheels And A Trolley Handle, Which Make It Easily Transportable.
4. The Sides Unfold To Create A Perfect Picnic Table And Includes Two Folding Stools.

Bonfire
Lantern



ET-0283-C



Lantern W/ Power Bank

- * Size: 74x74x228mm
- * 2pcs x Rech. Li-Ion 18650 / 2200mAh Batteries
- * 4pcs x "AA" Batteries

ET-0283



ET-0283-B

Lidea



ET-0289-1

ET-0289-U1

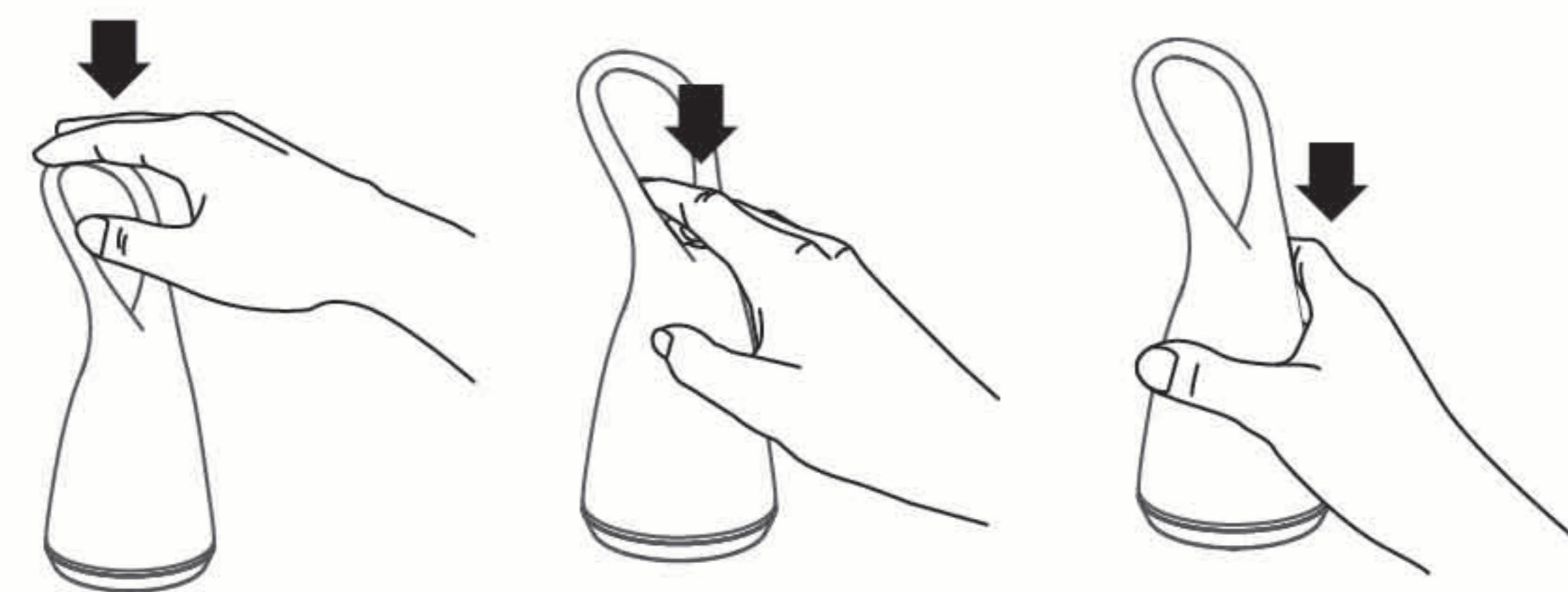
ET-0289-1A



ET-0289

ELF

SOFT LED Portable Lamp



Hidden power switch, multiple activation by hand, adjust the light intensity instinctively.



Ergonomic wide and comfortable handle, easy carry, indoor or outdoor wherever.



Product Size: 100x100x252 (mm)
Light Source: Warm LED
Power Source: 4 x "AA" Batteries

ELF SOFT LED Portable Lamp

1. Simple stylish design by rubber material, as soft as the baby skin.
2. Jelly-like material smoothly performs the light filled with warm atmosphere.
3. Ergonomic wide and comfortable handle, easy carry, indoor or outdoor wherever.
4. Hidden power switch, multiple activation by hand, adjust the light intensity instinctively.



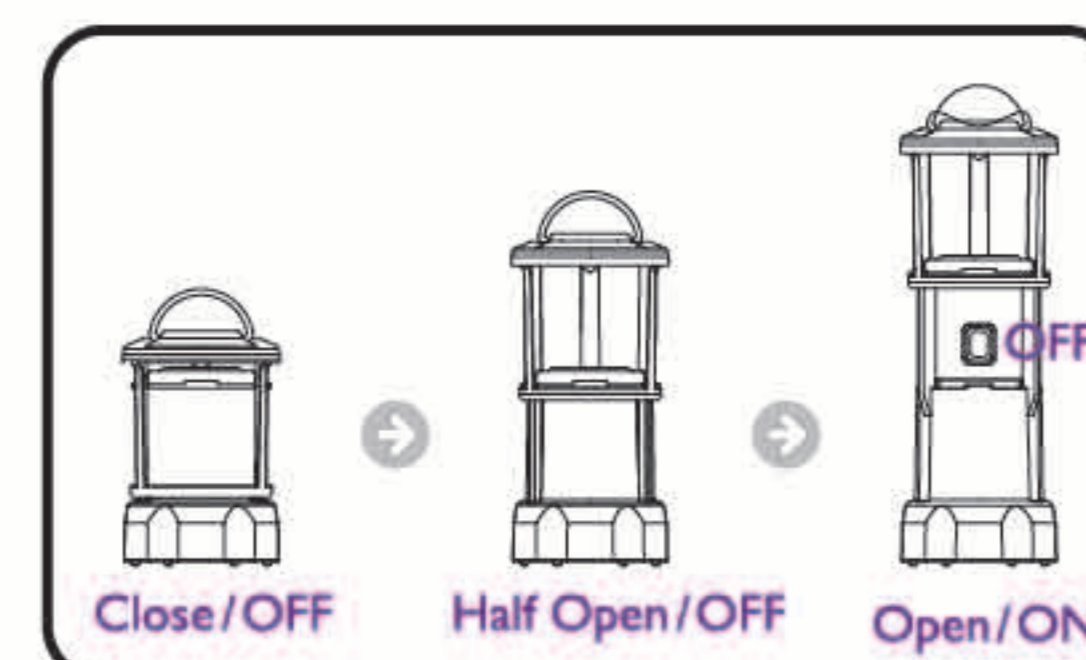
ET-0284

- SolarCamp Lantern**
- * Size: 104x99 x 230mm
 - * LR6 "AA" x 3pcs Batteries
 - * Ni-MH 3.6V / 300mAh Battery x 1pc
 - * Polycrystalline Silicon
 - * 40x50mm 5V/36mA



ET-0288-C

- 3W LED Camping Lantern**
- * Size: 77x77x117mm
 - * 4pcs x "AA" Batteries



ET-0285W
ET-0285Y
ET-0286W

Litee Fairy Camping Lantern

- * Size: 110 x 110 x 238mm
- * 3pcs x "AA" Batteries



ET-2202-R



Luna Portable LED Lamp

- 4 Ways Vibration power control
- Rechargeable batteries
- Spray Resistance

Size: 199x199x352.7 (mm)
Ni-MH "AA" 1.2V/2000mAh x3pcs
Input : 100-240V,50/60Hz,
Output : 5.0V/1.5A



ET-2201-R

Luna Portable LED Lamp

- 4 Ways Vibration power control
- Rechargeable batteries
- Spray Resistance

Size: 199x199x352.7 (mm)
Ni-MH "AA" 1.2V/2000mAh x3pcs
Input : 100-240V,50/60Hz,
Output : 5.0V/1.5A

NEW OUTDOOR LIGHT OVERVIEW

| Code | Images | Battery type | LM | Runtime (Hours) | PATENT IC LitEngine (TIMAX) | Weight(g) | Size Dia.xLength(mm) |
|---------|--------|--------------|------|-----------------|-----------------------------|-----------|----------------------|
| 07-8940 | | AAA*2 | 200 | 4.5~7.5 | ✓ | 27 | 16.3mm x 132mm |
| 07-8635 | | AA*2 | 200 | 3~22.5 | | 44.5 | 22mm x 130mm |
| 08-0438 | | AAA*1 | 18 | 11.5 | | 23 | 19mm x 84.5mm |
| 07-6484 | | AA*2 | 500 | 3.5~36 | ✓ | 74 | 25mm x 153mm |
| 07-9783 | | AAA*3 | 400 | 4~8.5 | | 78 | 27mm x 112.5mm |
| 07-8941 | | AAA*2 | 20 | 75 | | 21 | 13.6mm x 135mm |
| 07-9611 | | AAA*3 | 450 | 2~8.5 | | 89 | 34mm x 104.5mm |
| 08-0440 | | AAA*1 | 18 | 11.5 | | 23 | 19mm x 84.5mm |
| 07-8657 | | AA*1 | 150 | 5~16.5 | ✓ | 37 | 20mm x 90mm |
| 07-8658 | | AA*2 | 353 | 6.5~29 | ✓ | 55 | 20mm x 141mm |
| 08-0011 | | AA*2 | 600 | 0.7~23.5 | ✓ | 89 | 29mm x 164mm |
| 07-9798 | | AA*3 | 420 | 2~18 | ✓ | 100 | 46mm x 45mm |
| 07-8646 | | AA*3 | 1350 | 4~80 | ✓ | 315 | 51.4mm x 257mm |
| 08-0958 | | AA*3 | 800 | 1~18.5 | | 148 | 42mm x 110mm |
| 07-6483 | | AA*1 | 250 | 3.5~16.5 | ✓ | 58 | 25mm x 102mm |
| 08-0012 | | AAA*3 | 500 | 1~8.5 | ✓ | 99 | 35mm x 102mm |
| 08-0996 | | AA*3 | 1100 | 2.5~31 | ✓ | 265 | 50mm x 159mm |
| 08-1305 | | AA*1 | 135 | 4.2~6.2 | ✓ | 38 | 20mm x 90mm |

| Code | Images | Battery type | LM | Runtime (Hours) | PATENT IC LitEngine (TIMAX) | Weight(g) | Size Dia.xLength(mm) |
|------------------|-------------------------------|---|-----------|-----------------|-----------------------------|---|--|
| 07-8942 | | AAA*2 | 20 | 75 | | 21 | 13.6mm x 135mm |
| 08-0993 UV LIGHT | | AAA*2 | 375 ± 5nm | 32 | ✓ | 47 | 16mm x 143mm |
| SLIDE FOCUS | | AA*2 | 175 | 7~29 | | 51 | 27mm x 136mm |
| 08-0992 UV LIGHT | | AAA*2 | 375 ± 5nm | 32 | ✓ | 47 | 16mm x 143mm |
| 08-1333 | | AAA*3 | 650 | 2.5~36 | | 72 | 67mmx49mmx42mm |
| ET-1328 | (Rechargeable Dual Power) | 1000mAh*1 Rechargeable(Included) or AAA*3(not included) | 500 | 2~9 | | 89g(battery not included); 108g(including rechargeable battery) | 68x33x42mm (Headlamp) 68*25*42mm (Battery pack) |
| ET-1328-R | | 3.7V/1800mAh*1 Rechargeable | 500 | 4~30 | | 133 | 68x33x42mm (Headlamp) 78*36*33mm (Battery pack) |
| ET-1318 | | 18650 1800mAh*2 Rechargeable | 1000 | 1~3 | | 243 | 56x26x148mm |
| 07-8628 | | AA*1 | 100 | 7.5 | ✓ | 35 | 110~170mm x 22 x 22mm |
| ET-0967 | (Rechargeable Dual Power) | 18650 2200mAh*1 Rechargeable or AAA*3 | 1000 | 2.5~14 | ✓ | 220g (including rechargeable battery) | 40*165mm |
| ET-0968 | | 18650 1800mAh*1 | 500 | 1~5 | | 225 | 45x160mm |
| ET-0969 | | 18650 2200mAh*1 | 1200 | 3~8.5 | ✓ | 243 | 56x26x148mm |
| ET-0995 | | AAA*3 | 700 | 7.5 | | 166 | 40*158 |
| ET-0991 | | AAA*1 | 100 | 5 | ✓ | 22 | 16.2*88 |
| ET-0993 | | AAA*2 | 200 | 10 | ✓ | 27 | 16.2*133 |
| ET-0992 | | AA*1 | 150 | 15 | ✓ | 50 | 26*119 |
| ET-0996 | | AA*3 | 1100 | 8.5 | | 299 | 50*198 |
| ET-0994 | | AA*2 | 500 | 10 | ✓ | 62 | 26.8*152 |
| ET-0997 | | D*3 | 1500 | 22 | ✓ | 417 | 56*290 |
| ET-0970 | | Li-Ion 3.7V, 2500mAH | 3000 | 25 | ✓ | 352 | 51*232 |
| ET-0998 | | Li-Ion 3.7V, 2600mAH | 600 | 10 | ✓ | 334 | 40*472 |

08-1305
Multi-Purpose Flashlight

ET-0991-T
Multi-Purpose Flashlight

ET-0991-TS
Multi-Purpose Flashlight



PATENTED MODULE TECH
Benex's Power-Drive provides more light with more hours of run time than any other comparable flashlight.

135
LM



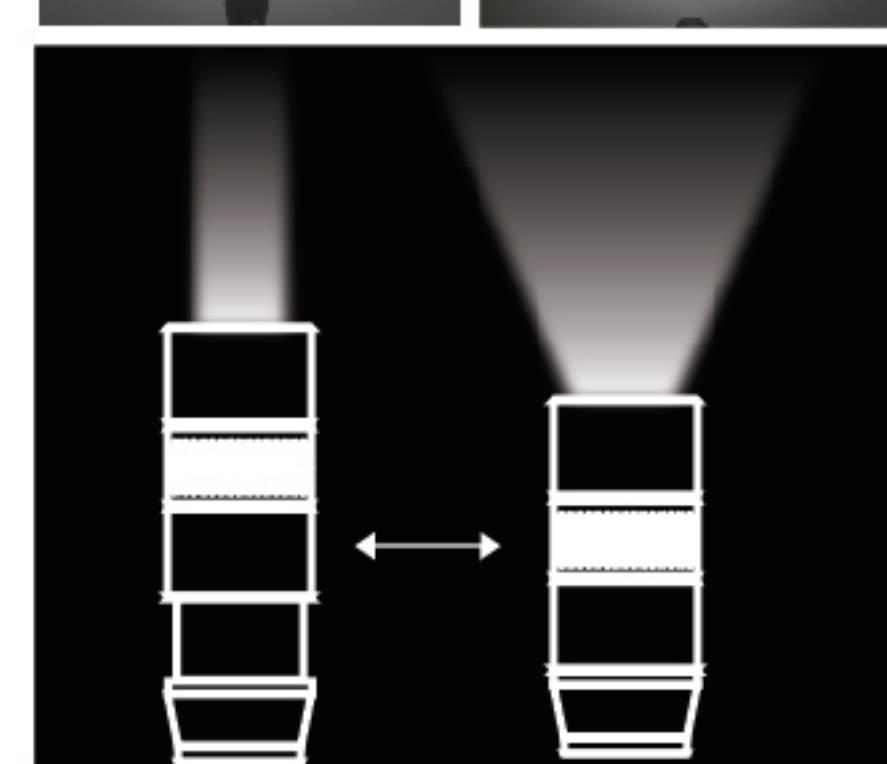
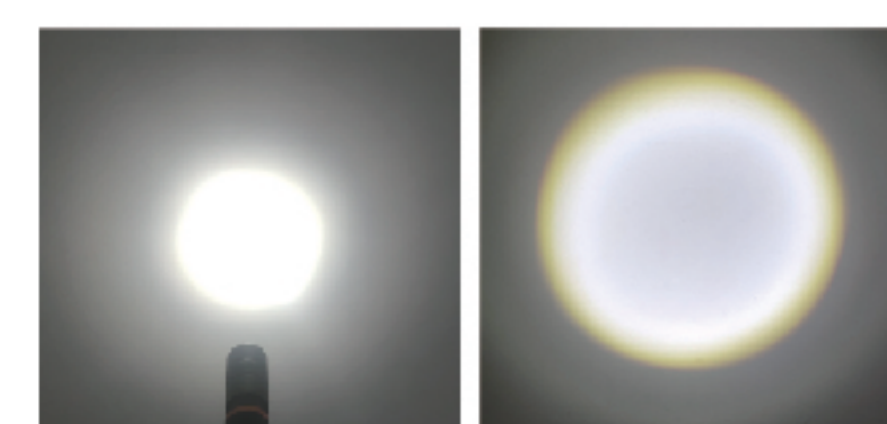
100
LM



100
LM



Slide zoom focus



SPOT TO FLOOD



Convenient Clip-On Design - Easy and secure attachment



Strong Magnets - Allow a light to be conveniently located.



With 360 degree rotatable bracket to adjust angles.

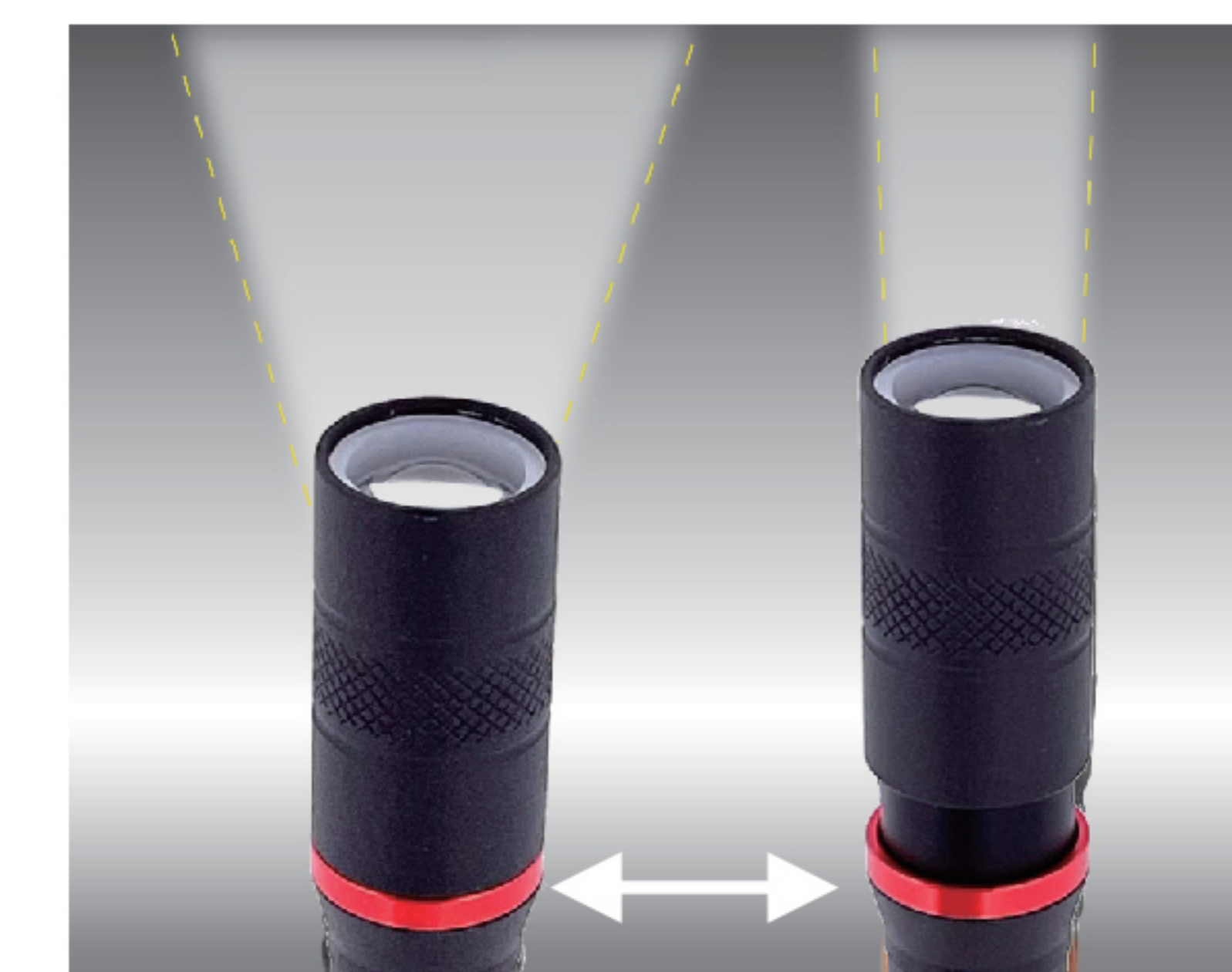


With 360 degree rotatable bracket to adjust angles.



Magnetic clip makes mounting easy, as well as attaching to a metal surface.

(The bracket is optional)



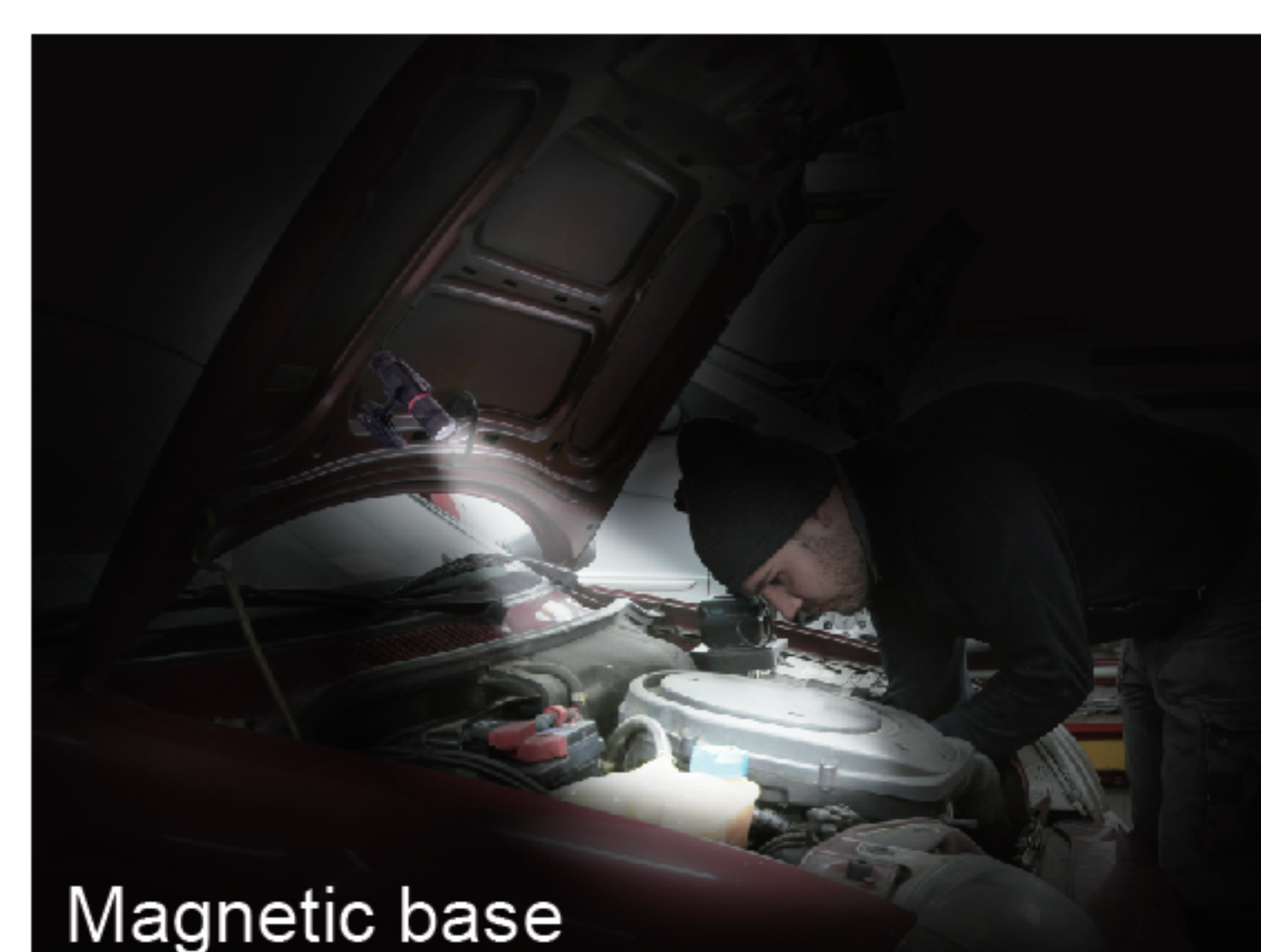
FLOOD TO SPOT



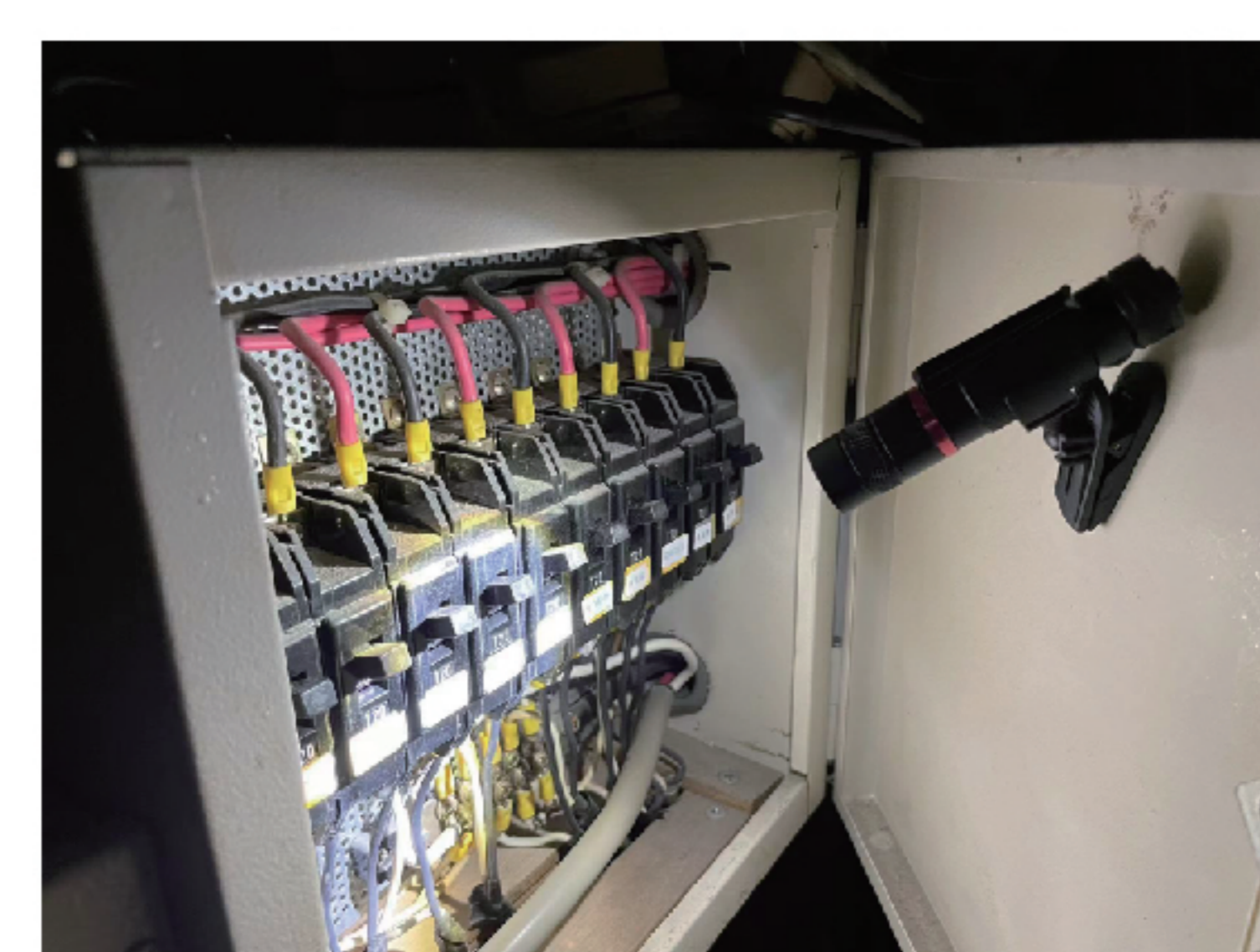
•Clip on the torch is designed to go on belt, bag or strap



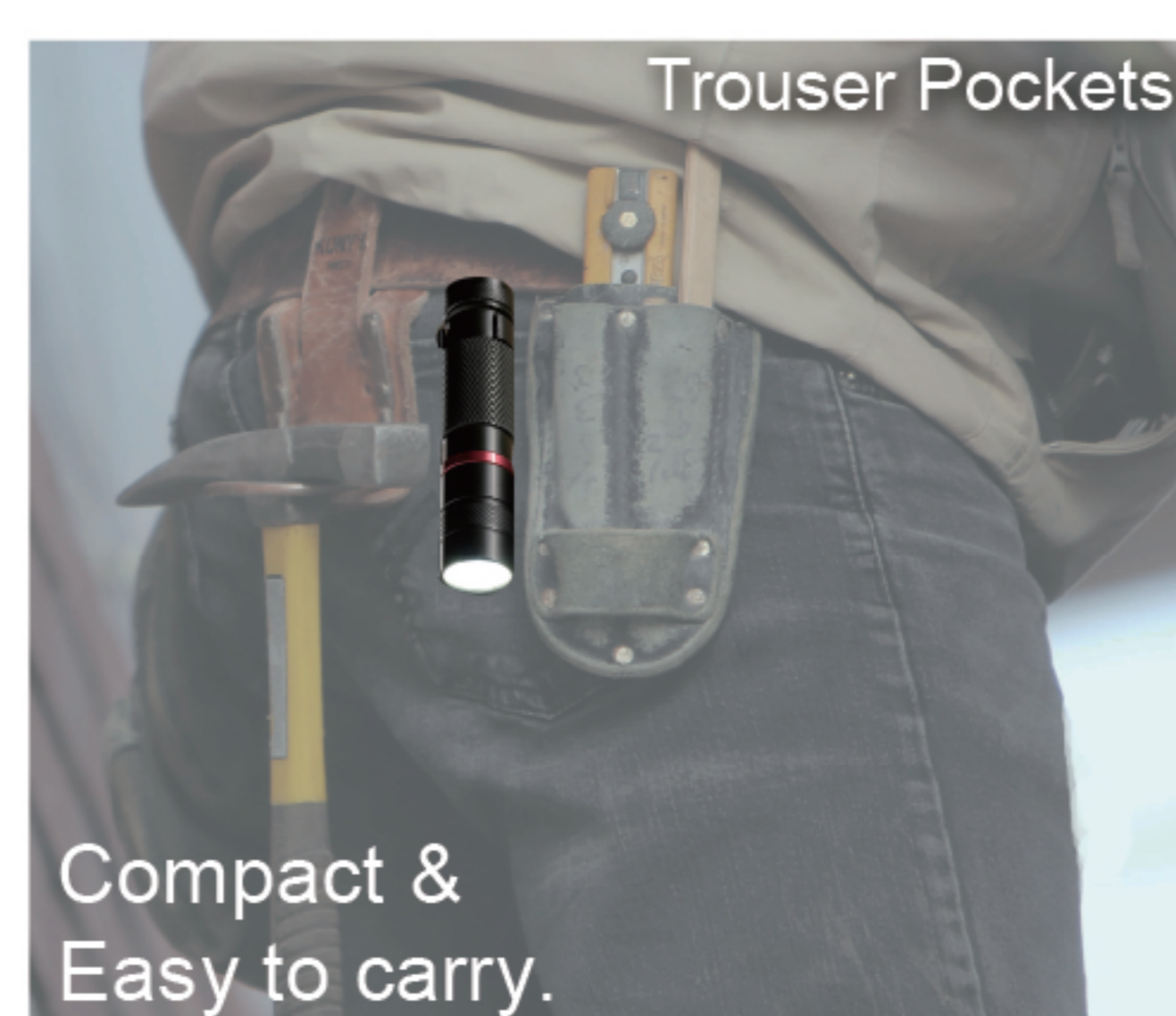
•S clip is designed with 2 directions to go on belt, bag, cap, or strap.



Magnetic base



Trouser Pockets



Hat Brim

Compact & Easy to carry.

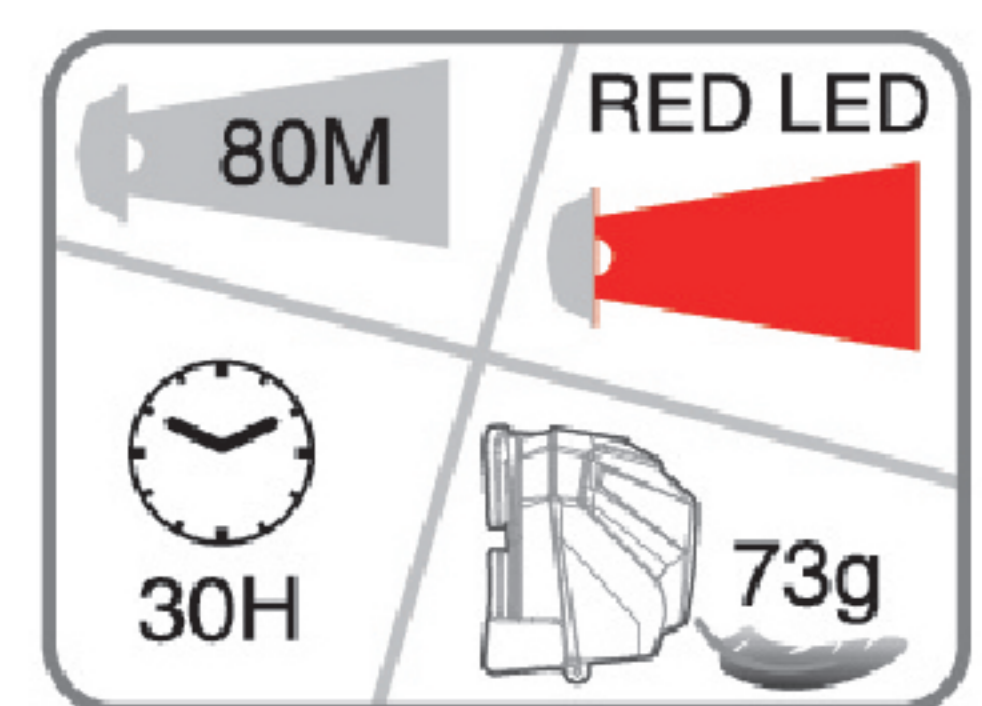


Two-way Pocket Clip
S clip is designed with 2 directions to go on belt, bag, cap, or strap.

Light where & when you need it



700 LM



Power saving, long lasting runtime, light weighted, small and compact for long distance illumination.



Easily switch to Spot / Flood / Red Beam Illumination for reading, astronomy stars, maps, and preserving night vision for hunting



Ideal for mountain climbing, Emergency Rescue, Maintenance....etc

Patented -- Benex offers an innovative mounting system -- ingenious simplicity and simply ingenious.



ET-1327-CD

Headlamp / Magnetic Work Light

ET-1326-HM 700LM

Hardhat Headlamp / Magnetic Work Light

ET-1326-HE 700LM

300 LM



Headlamp / Magnetic Work Light

ET-1327-CM 300LM

Hardhat Headlamp / Magnetic Work Light

ET-1327-CE 300LM



ET-1327-CE



ET-1337-D

650 LM

ET-1336-D

700 LM



ET-1337-M



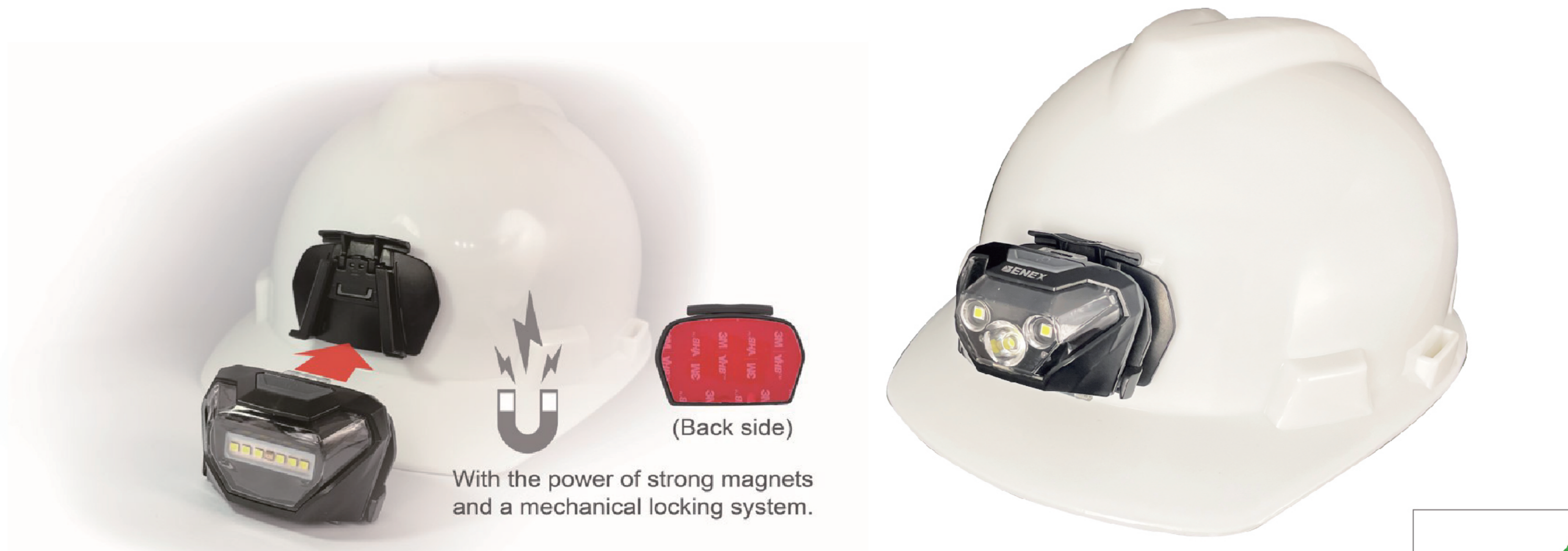
Headlamp/Magnetic Work Light



ET-1336-M



Patented -- Benex offers an innovative mounting system -- ingenious simplicity and simply ingenious.



ET-1337-E



Hardhat Headlamp/Magnetic Work Light

ET-1336-E



Type-C Rechargeable battery



Max. adjustable angle 60 degrees.

The strong magnet base.

Emitting red soft light.

2026-2027

Outdoor Lighting

